

IZERWAREN



Chapter Four

Marine Hinges, Hatch Cam Locks, Bulwark Latch and Weather Door Toggle devices.
Deck Hardware



Edition 23

Non Corrosive Fine Building and Ships Hardware
IZERWAREN.COM



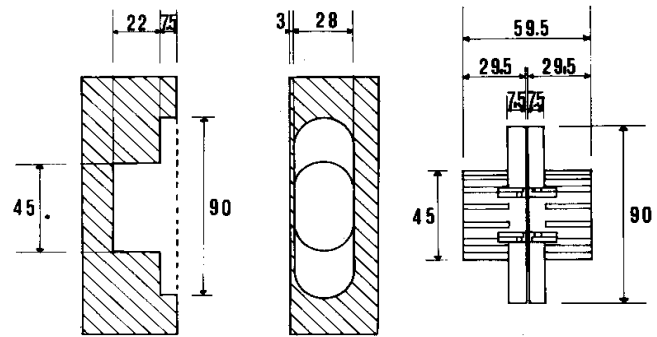
Izerwaren
Order
numbers

- Stainless steel, nylon and brass parts

41.078

Invisible hinge

For medium heavy doors: 88 lbs. using two hinges
 Dimensions: 90 x 28 x 29.5
 ~ 3 1/2" x 1 1/8" x 1 3/16"
 Min. door thickness: 35 mm / 1 1/2"
 180 degree opening
 White nylon and st. steel parts

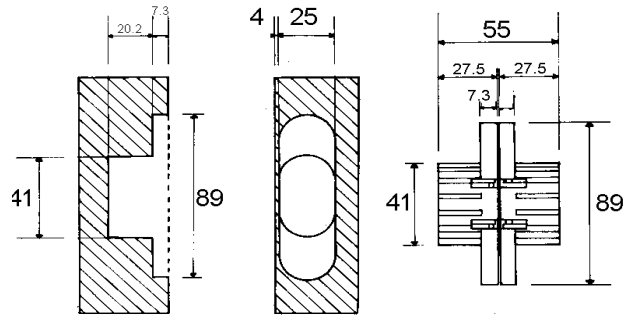
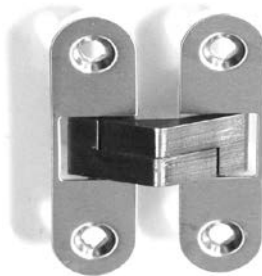


#41.078 Invisible hinge "INOX 78"; door thickness 1 1/2" minimum

41.066

Invisible hinge

For medium heavy doors 88 lbs. using two hinges
 Dimensions: 89 x 25 x 27.5
 ~ 3 1/2" x 1 1/8" x 1 3/16"
 Min. door thickness: 31 mm / 1 1/4"
 180 degree opening
 White nylon and st. steel parts

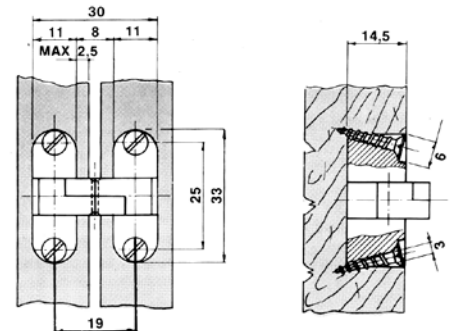


#41.066 Invisible hinge "INOX 66", door thickness 1 1/4" minimum

41.020

Invisible hinge

For light doors: 22 lbs using 2 hinges
 33 x 11 x 14.5 mm
 ~ 1 5/16" x 7/16" x 9/16"
 Min. door thickness: 15 mm / 5/8"
 180 degree opening
 White or black nylon with nickel plated brass



#41.020 invisible hinge "INOX 20", door thickness 5/8" minimum in white or black

41.088

Invisible hinge

For medium to light doors: 50 to 22 lbs using 2 hinges
 88 x 18 x 13 mm
 Minimum door thickness: 24 mm
 180 degree opening
 Brass with stainless steel pins

41.052

Invisible hinge

For medium to light doors: 40 to 22 lbs using 2 hinges
 52 x 18 x 13 mm ~
 Minimum door thickness: 24 mm
 180 degree opening
 Brass with stainless steel pins

41.041

Invisible hinge

For light doors: 22 lbs using 2 hinges
 41 x 18 x 13 mm ~
 Minimum door thickness: 24 mm
 180 degree opening
 Brass with stainless steel pins



#41.041

#41.052

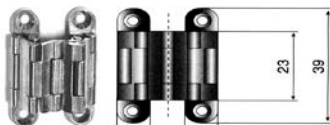
#41.088

For door thickness from 24 mm to 35 mm ~ 1" to 1 1/4"

41.039

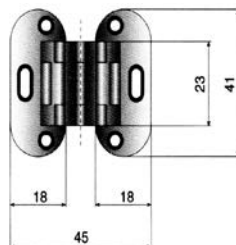
Invisible hinge

For light doors:
 39 x 28 x 9 mm ~
 Minimum door thickness: 12 mm
 180 degree opening
 Brass with stainless steel pins

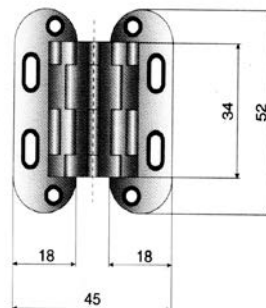


#41.039

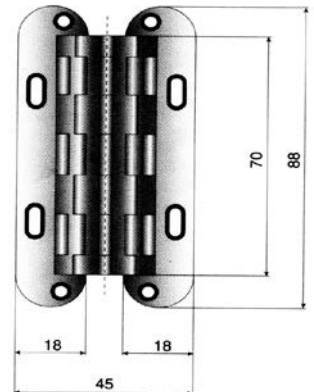
Details on Page 4-1-1



#41.041



#41.052



#41.088



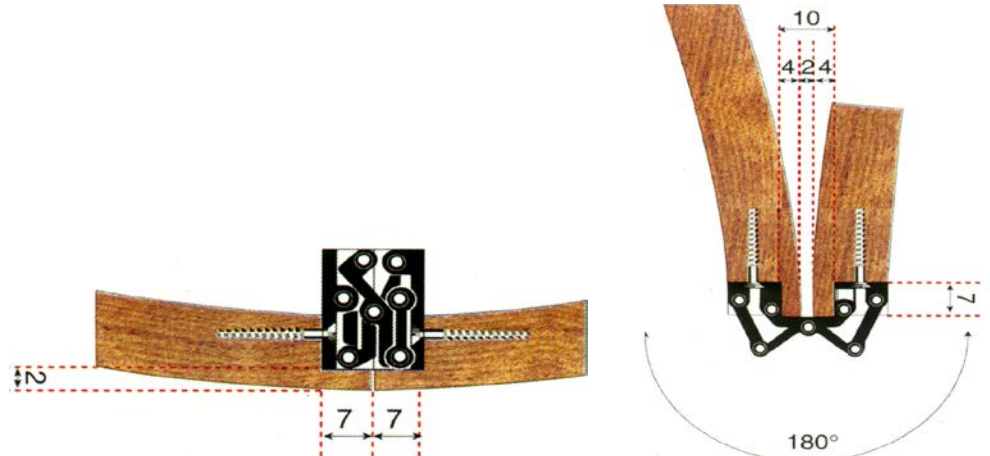
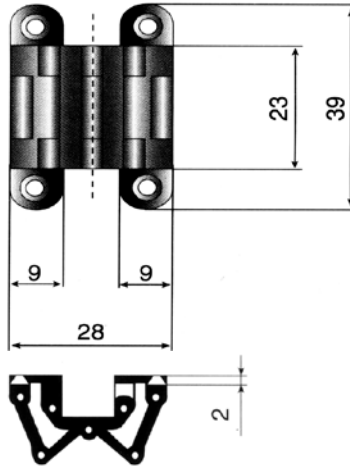
IZERWAREN
Order
numbers

- Seawater Resistant
- Finish: Satin nickel plated

MINI INVISIBLE HINGES WITH STAINLESS STEEL PINS



invisible hinge for minimum door thickness 1/2"



Small Invisible Hinge 41.039, minimum door thickness 1/2"

41.039 **Invisible hinge**
 For cabinet doors
 Dimensions: 28 x 39 x 9 mm
 Minimum door thickness: 11 mm or 1/2"
 180 degree opening

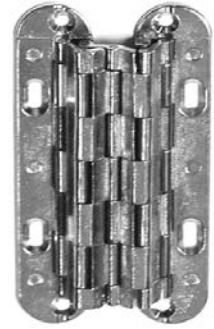
41.088 **Invisible hinge**
 For medium weight doors: 50 to 22 lbs using 2 hinges
 88 x 18 x 13 mm ~
 Minimum door thickness: 24 mm
 180 degree opening



41.041



41.052

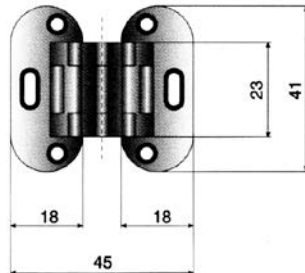


41.088

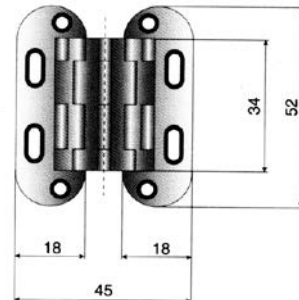
SEPA hinge for door thickness from 24 mm to 35 mm or 1" to 1 1/4"

41.052 **Invisible hinge**
 For medium to light doors: 40 to 22 lbs using 2 hinges
 52 x 18 x 13 mm ~
 Minimum door thickness: 24 mm
 180 degree opening

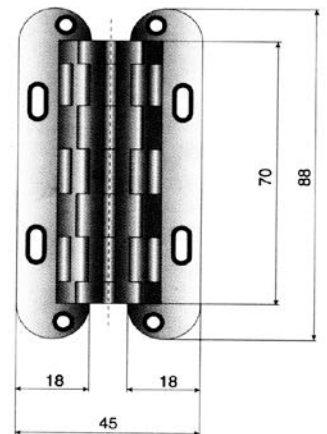
41.041 **Invisible hinge**
 For light doors: 22 lbs using 2 hinges
 41 x 18 x 13 mm ~
 Minimum door thickness: 24 mm
 180 degree opening



41.041



41.052

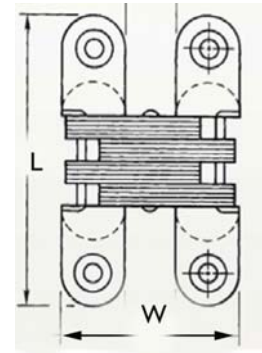
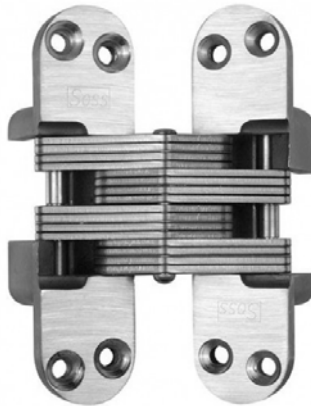


41.088



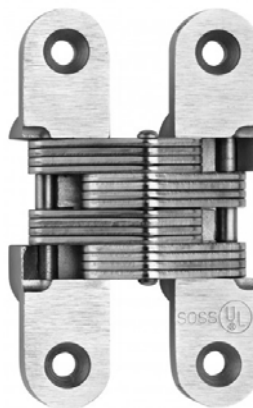
Izerwaren
Order
number

41.418 **“SOSS” type invisible hinge**
 Size hinge:
L: 4 39/64 inch x W: 3 7/64 inch
For full size doors
 Door thickness: 2 inch
 180 degree opening
 Finish: 316 satin stainless steel

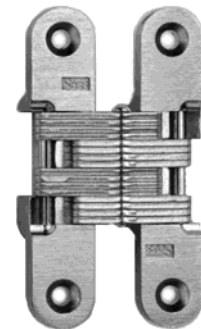


#41.418 Invisible Hinge, minimum door thickness 2 inch Details: see page 4-1-1-1-A

41.417 **“SOSS” type invisible hinge**
 Size hinge:
L: 4 5/8 inch x W: 2 3/4 inch
For full size doors
 Door thickness: 1 3/8 inch
 180 degree opening
 Finish: 316 satin stainless steel



#41.417 Invisible Hinge,
minimum door thickness 1 3/8”
Details: see page 4-1-1-1-B



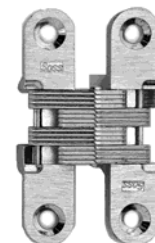
#41.221 Invisible Hinge,
minimum door thickness 1 1/8 inch
Details: see page 4-1-1-1-C

41.221 **“SOSS” type invisible hinge**
 Size hinge:
L: 3 3/4 inch x W: 2 3/64 inch
 Door thickness: 1 1/8 inch
 180 degree opening
 Finish: 316 satin stainless steel

41.208 **“SOSS” type invisible hinge**
 Size hinge:
L: 2 3/4 inch x W: 1 45/64 inch
 Door thickness: 1 inch
 180 degree opening
 Finish: 316 satin stainless steel



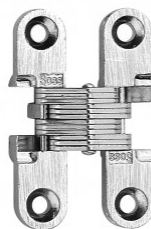
#41.208 Invisible Hinge,
minimum door thickness 1 inch
Details: see page 4-1-1-1-D



#41.204 Invisible Hinge
minimum door thickness 3/4 inch
Details: see page 4-1-1-1-E

41.204 **“SOSS” type invisible hinge**
 Size hinge:
L: 2 3/8 inch x W: 1 3/8 inch
 Door thickness: 3/4 inch
 180 degree opening
 Finish: 316 satin stainless steel

41/101 **“SOSS” type invisible hinge**
 Size hinge:
L: 1 11/16 inch x W: 1 3/64 inch
 Door thickness: 5/8 inch
 180 degree opening
 Finish: 316 satin stainless steel
 Max. Door weight: 7 kg / 15.4 lbs
 using 3 hinges
 Finish: 316 satin stainless steel



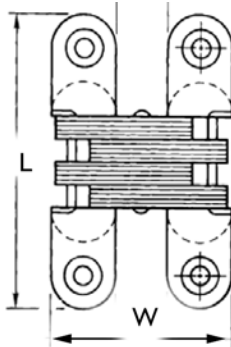
#41.101 Invisible Hinge, minimum door thickness 5/8 inch.



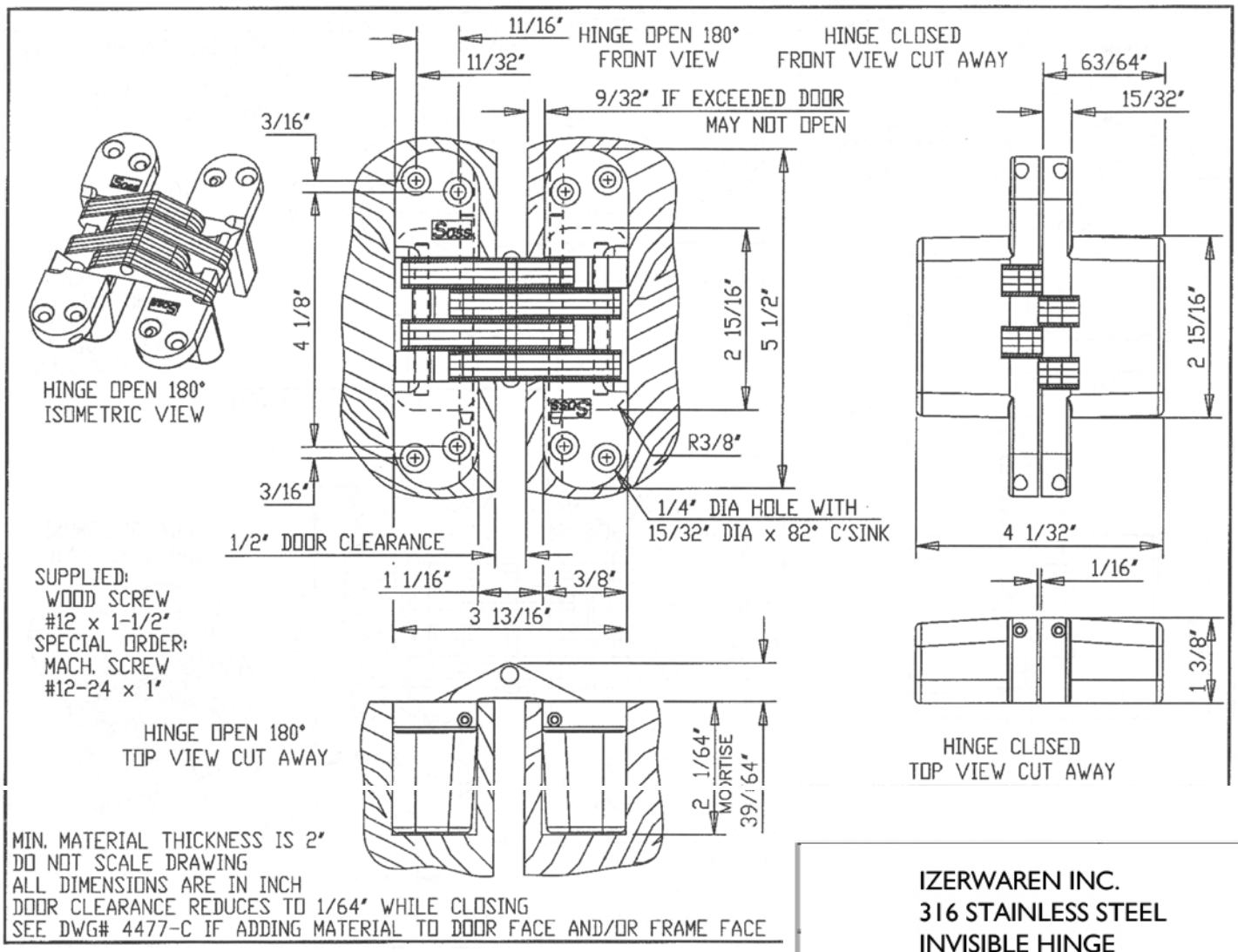
Izerwaren
Order
number

41.220 "SOSS" type invisible hinge

Size hinge:
L: 5 1/2 inch x W: 3 53/64 inch
For full size fire rated doors
Door thickness: min 2 inch.
180 degree opening
Finish: 316 satin stainless steel



#41.220 Invisible Hinge, minimum door thickness of min. 2 inch

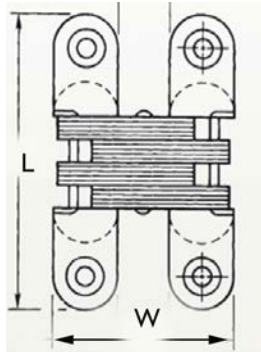




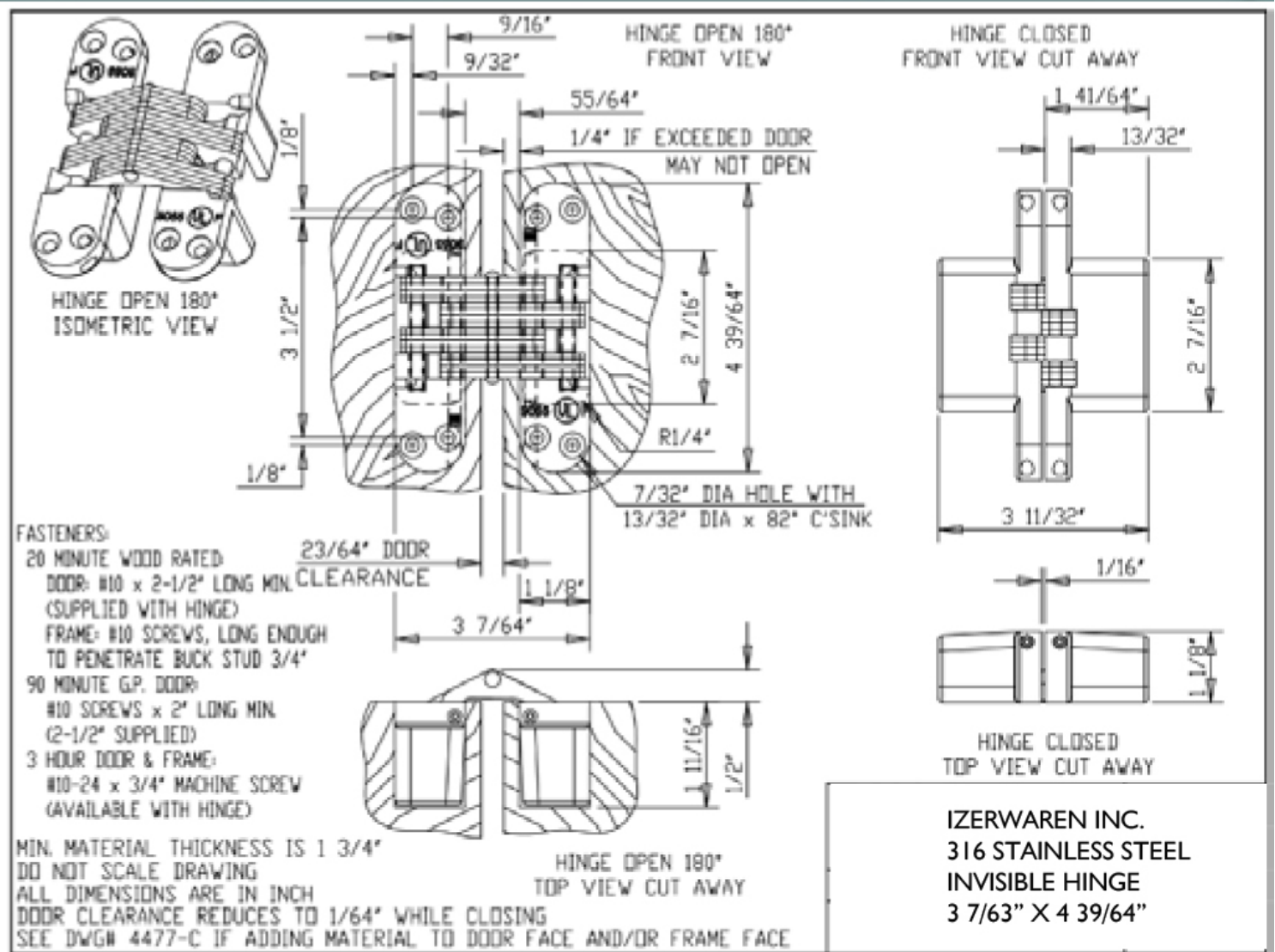
Izerwaren
Order
number

41.418 "SOSS" type invisible hinge

Size hinge:
L: 4 39/64 inch x W: 3 7/64 inch
For full size doors
Door thickness: 2 inch
180 degree opening
Finish: 316 satin stainless steel



#41.418 Invisible Hinge, minimum door thickness 2 inch



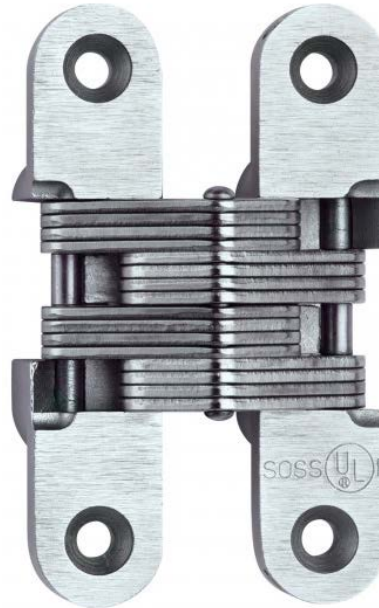
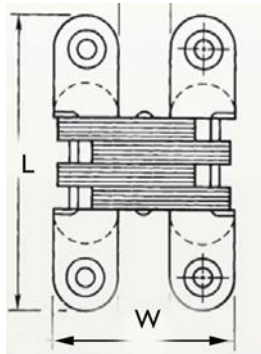
IZERWAREN INC.
316 STAINLESS STEEL
INVISIBLE HINGE
3 7/63" X 4 39/64"



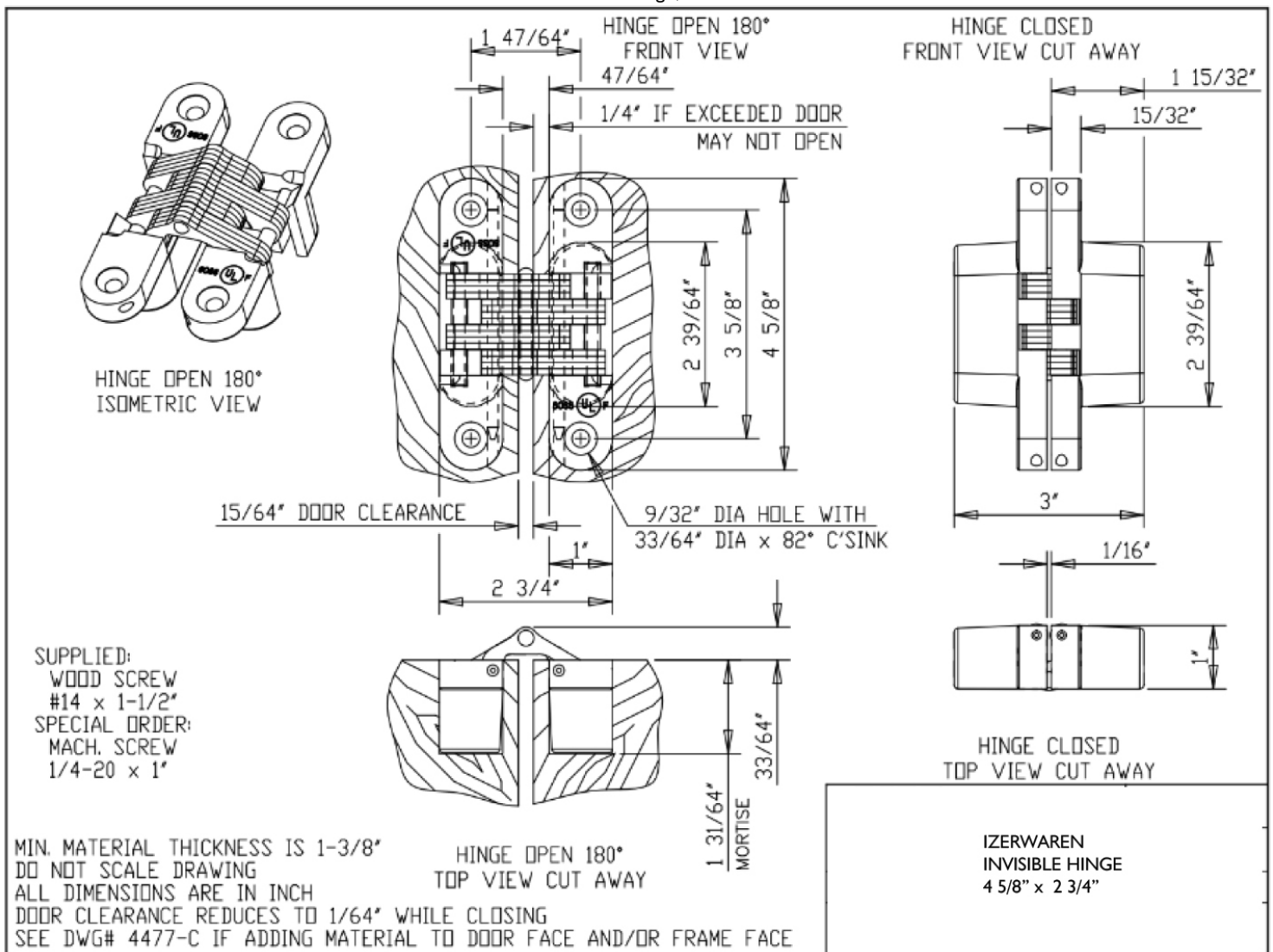
Izerwaren
Order
number

41.417 "SOSS" type invisible hinge

Size hinge:
L: 4 5/8 inch x W: 2 3/4 inch
For full size doors
Door thickness: 1 3/8 inch
180 degree opening
Finish: 316 satin stainless steel



#41.417 Invisible Hinge, minimum door thickness 1 3/8"

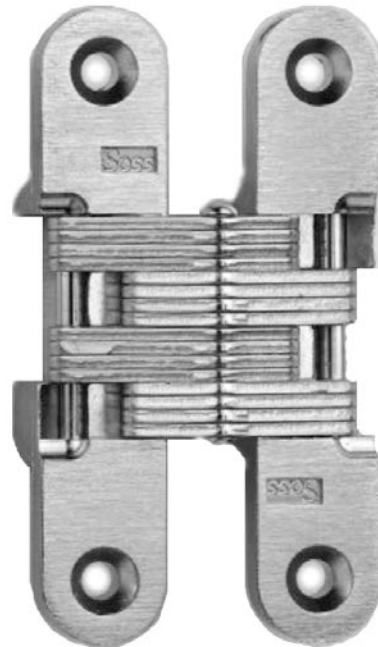
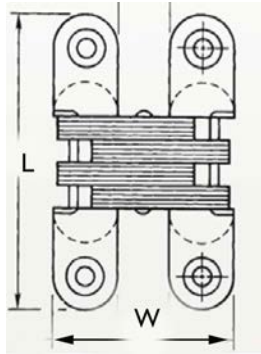




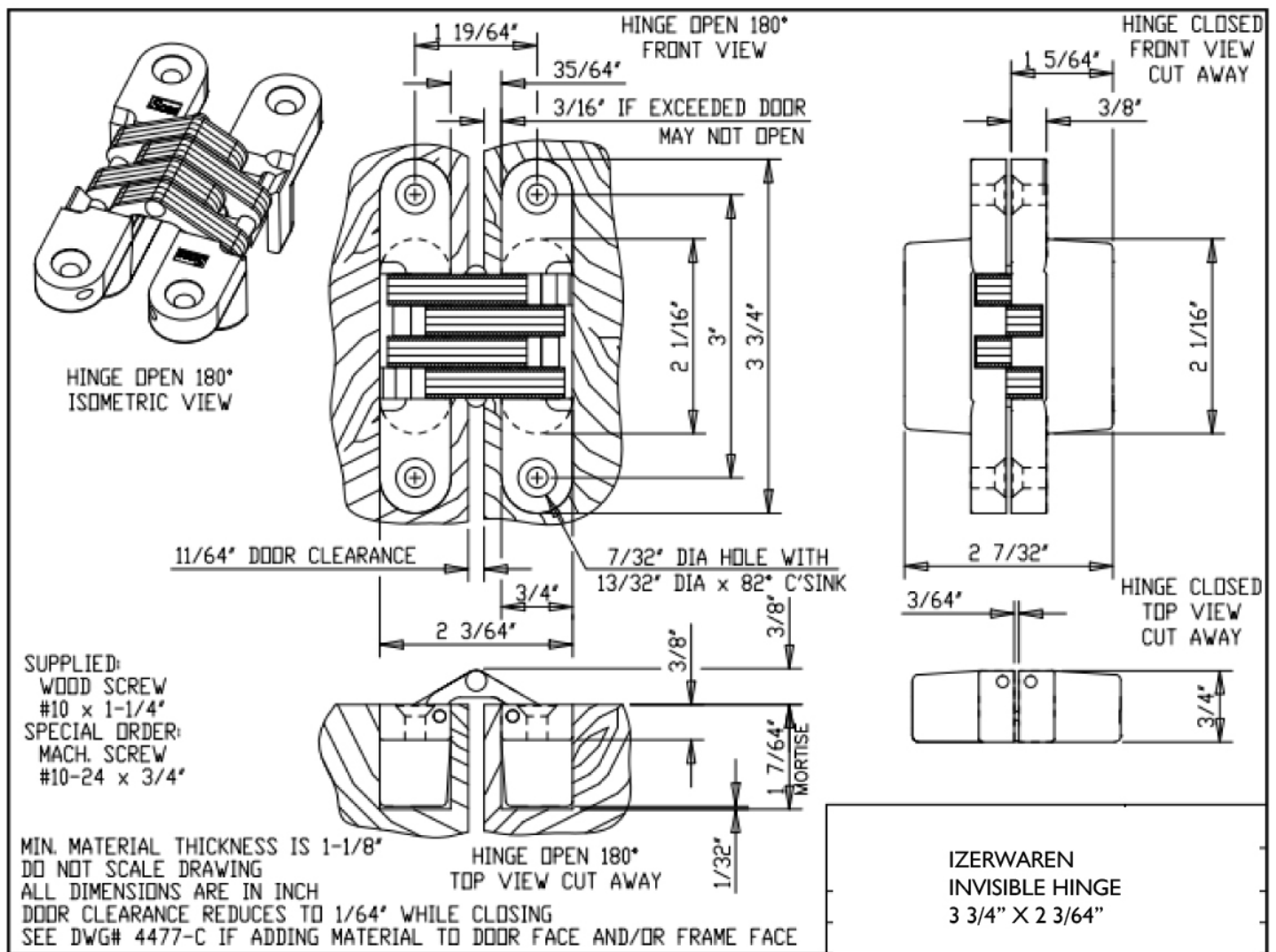
Izerwaren
Order
number

41.221 "SOSS" type invisible hinge

Size hinge:
L: 3 3/4 inch x W: 2 3/64 inch
Door thickness: 1 1/8 inch
180 degree opening
Finish: 316 satin stainless steel



#41.221 Invisible Hinge, minimum door thickness 1 1/8 inch-



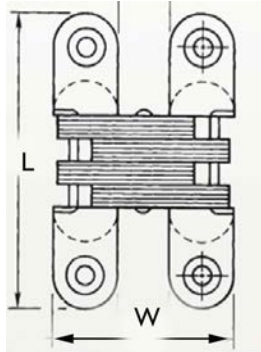


Izerwaren
Order
number

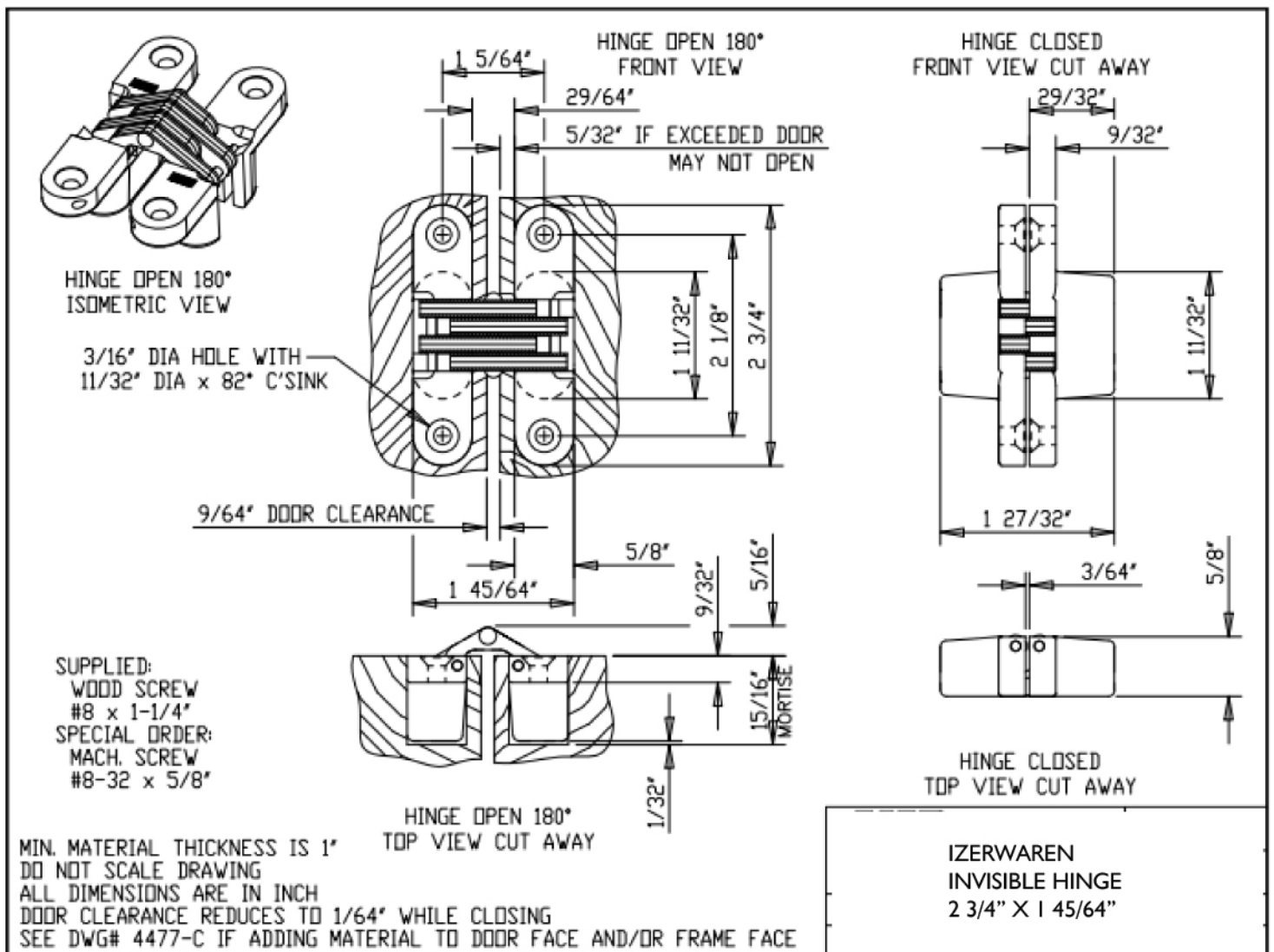
41.208 "SOSS" type invisible hinge

Size hinge:
L: 2 3/4 inch x W: 1 45/64 inch

Door thickness: 1 inch
180 degree opening
Finish: 316 satin stainless steel



#41.208 Invisible Hinge, minimum door thickness 1 inch

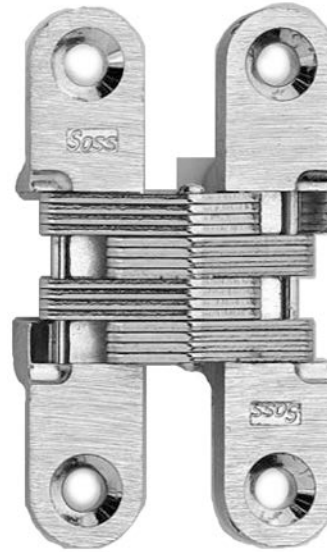
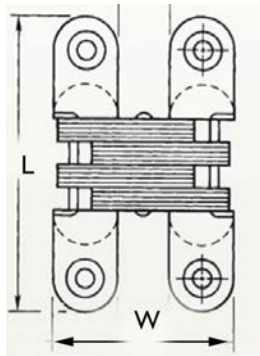




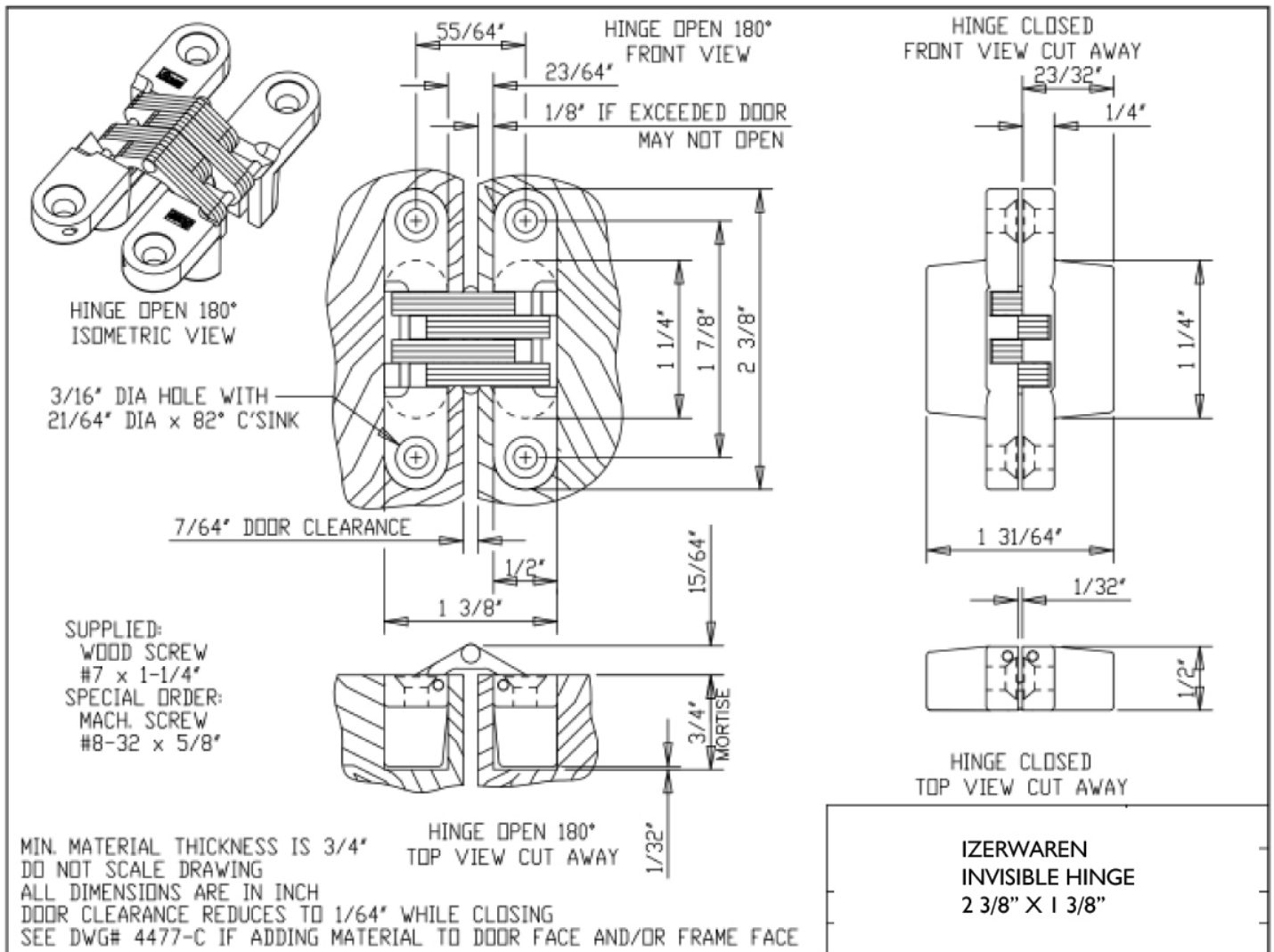
Izerwaren
Order
numbers

41.204 "SOSS" type invisible hinge

Size hinge:
L: 2 3/8 inch x W: 1 3/8 inch
Door thickness: 3/4 inch
180 degree opening
Finish: 316 satin stainless steel



#41.204 Invisible Hinge, minimum door thickness 3/4 inch

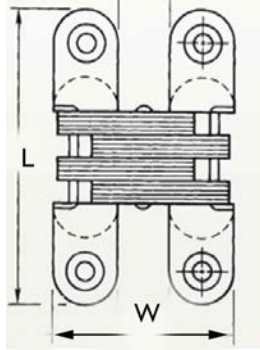




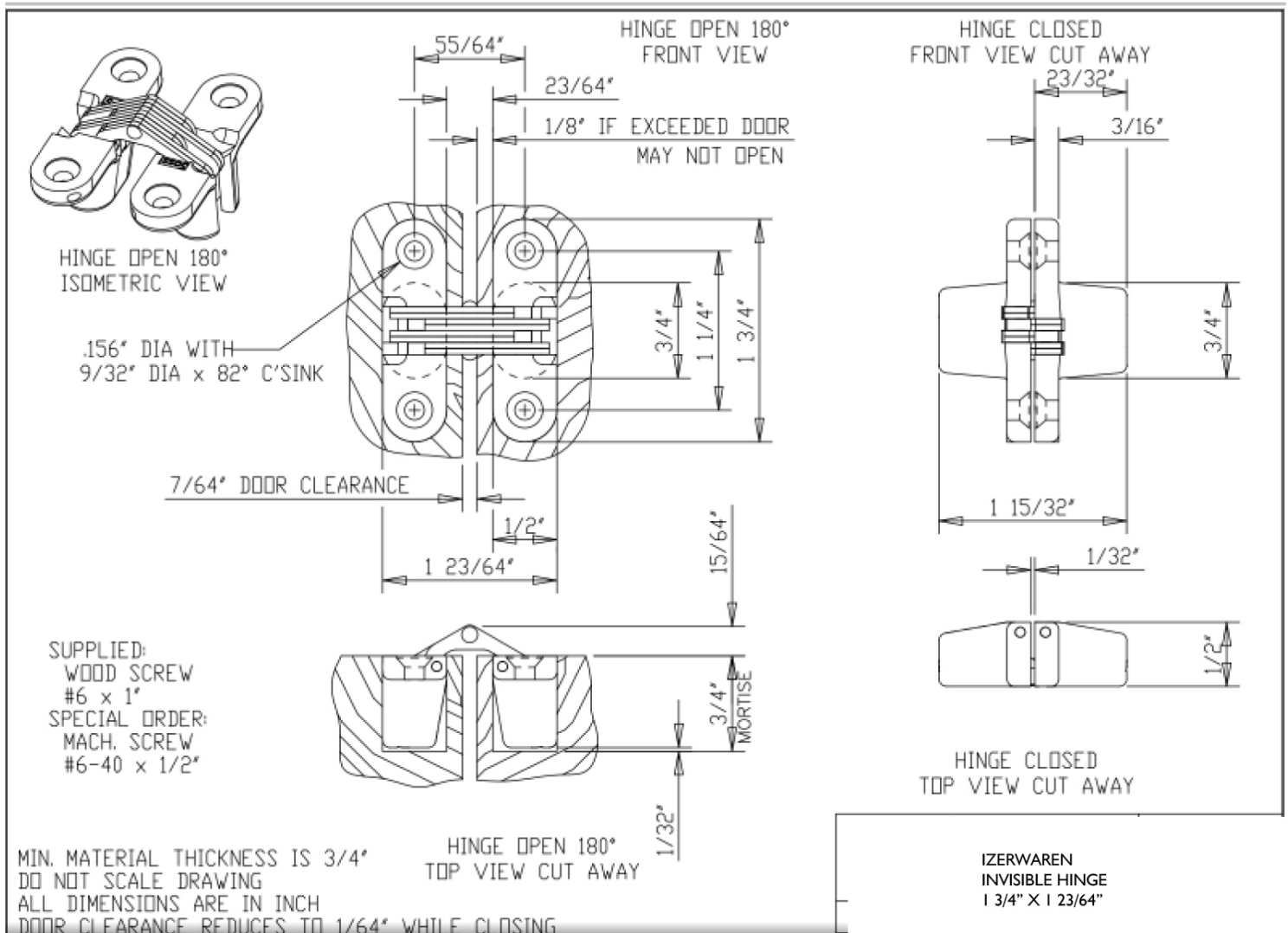
Izerwaren
Order
number

41.203 "SOSS" type invisible hinge

Size hinge:
L: 1 3/4 inch x W: 1 23/64 inch
Door thickness: 3/4 inch
180 degree opening
Finish: 316 satin stainless steel
Minimum door thickness: 3/4 inch
180 degree opening
Max. Door weight: 30 kg / 66 lbs using 3
hinges
Finish: 316 satin stainless steel



#41.203 Invisible Hinge, minimum door thickness 3/4 inch

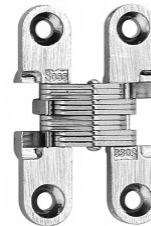
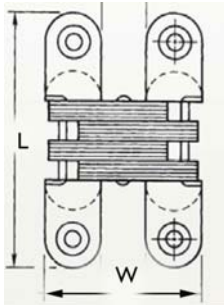




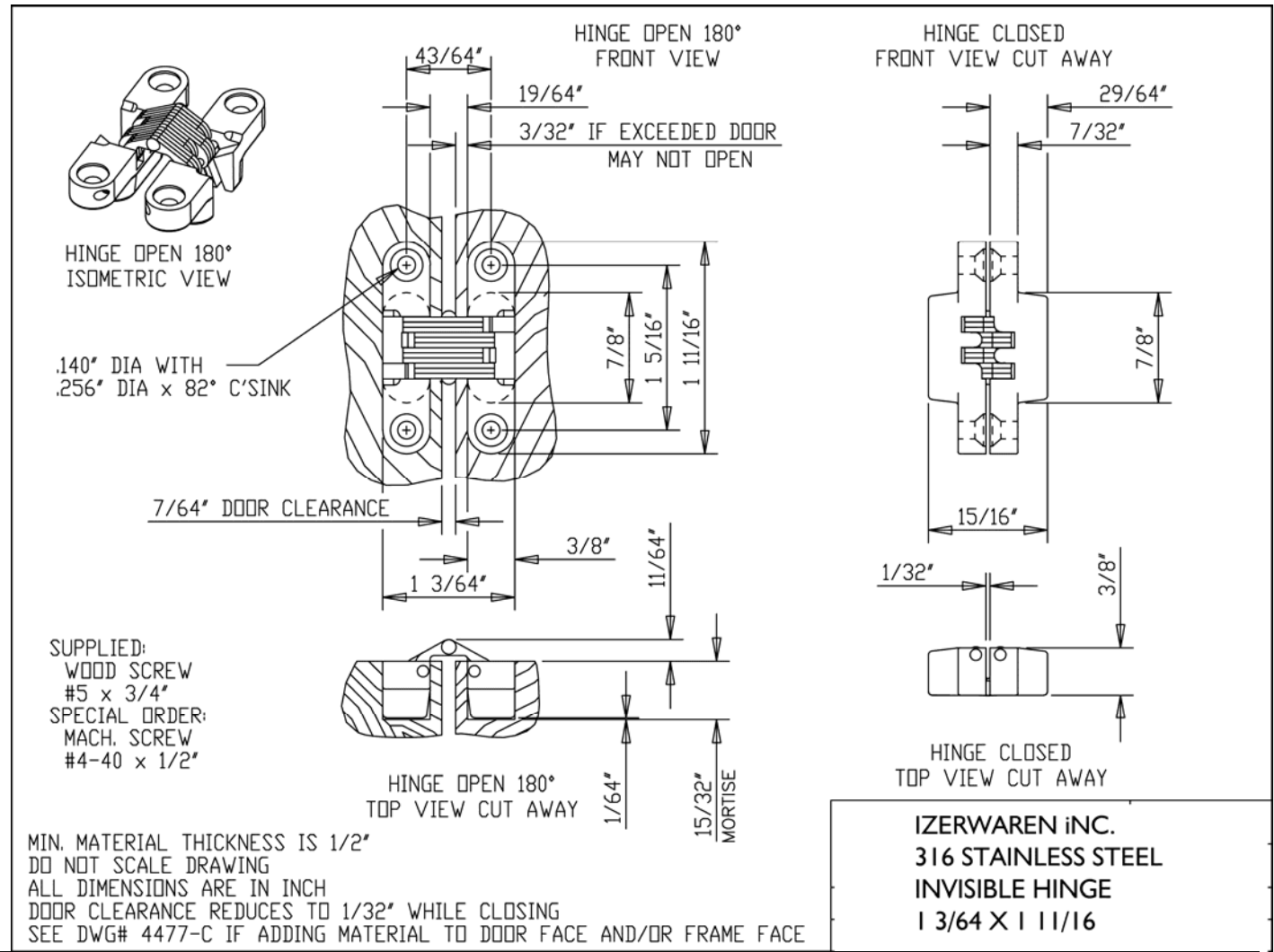
Izerwaren
Order
number

41.101 "SOSS" type invisible hinge

Size hinge:
L: 1 11/16 inch x W: 1 3/64 inch
Door thickness: 5/8 inch
180 degree opening
Finish: 316 satin stainless steel
Max. Door weight: 7 kg / 15.4 lbs
using 3 hinges
Finish: 316 satin stainless steel



#41.101 Invisible Hinge, minimum door thickness 5/8 inch.





Izerwaren
Order
numbers

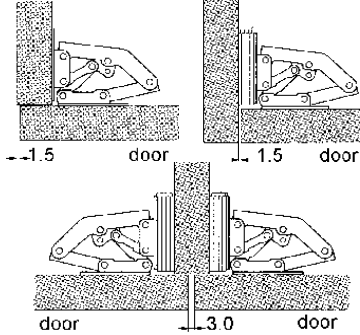
42.200 **Easy on hinge** (2000) 304 stainless steel
42.20S **Easy on hinge** (2000S) spring loaded

For overlay, half overlay or insert doors.

Door thickness: 3/4" or 20 mm

Dimensions: Open: 4 1/16" L x 1 3/4"W

The spring loaded version has an electroplated hardened steel spring.



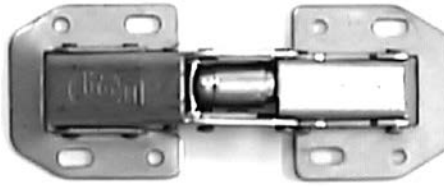
Installation:

Easy and quick installing non mortise cabinet hinge, no machining. Self closing and self locking. (spring loaded version)

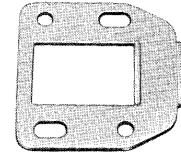
Use filler plates when installing half overlay or insert doors

42.001 White nylon filler plates (2001)
Filler plates thickness: 1/16" thick
For 2000 model only

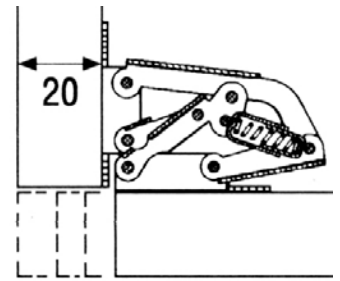
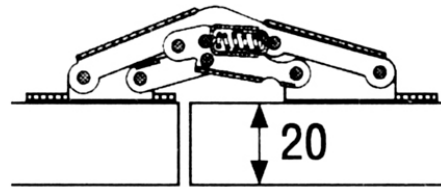
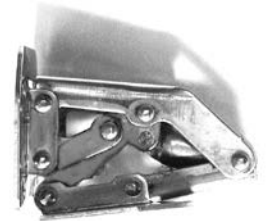
304 STAINLESS STEEL EASY ON HINGE LIGHT DUTY



#42.20S 90 degree stainless steel "easy on hinge",



#2001 filler plate



Leave 1.5 mm 1/16" gap when installing insert doors and full overlay.
Leave 3 mm 1/8" gap when installing 2 doors back to back half overlay. For 3/4" thick material

90 DEGREE OFFSET STEEL GALVANISED STEEL EASY ON HINGE

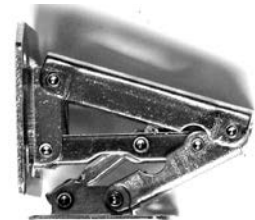
Offset type hinge.
42.0F0 **Easy on hinge** (2000F) not spring loaded
42.0FS **Easy on hinge** (2000FS) spring loaded
For overlay doors.
90 degree opening, door swings out.
Galvanized steel.

Door thickness: 3/4" or 20 mm

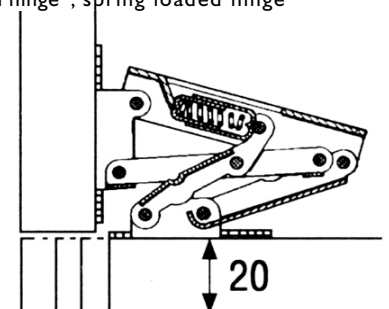
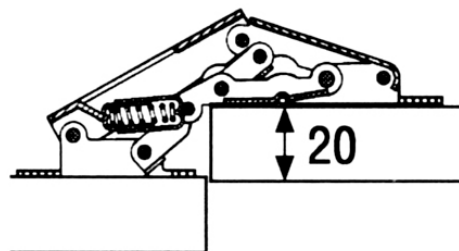
Dimensions: Open: 4 1/16" L x 1 3/4"W

Self closing and self locking = (spring loaded version)

The spring loaded version has an electroplated hardened steel spring.



#42.0F0 90 degree offset galvanized steel "easy on hinge", spring loaded hinge

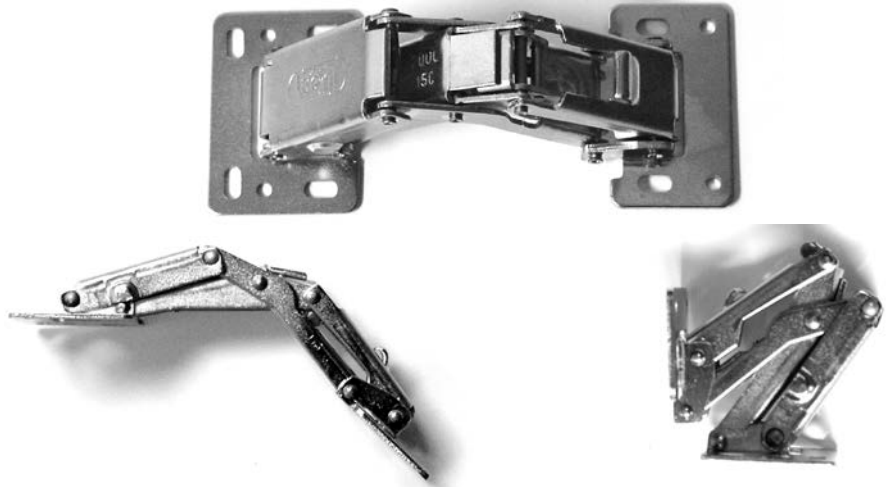


Leave 1.5 mm 1/16" gap when installing insert doors and full overlay. For 3/4" thick material

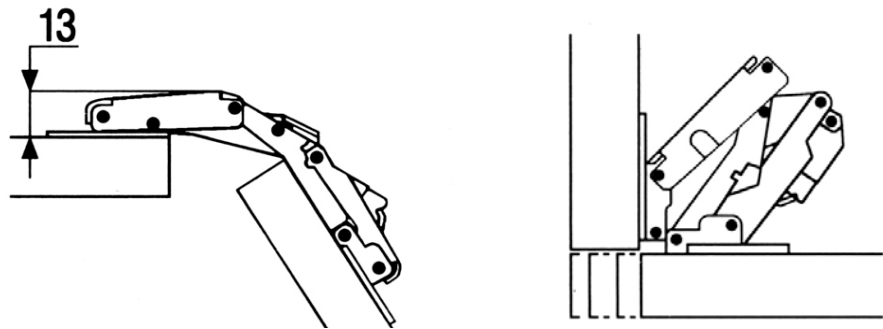


Izerwaren Stronger than regular "Euro" hinges
Order numbers

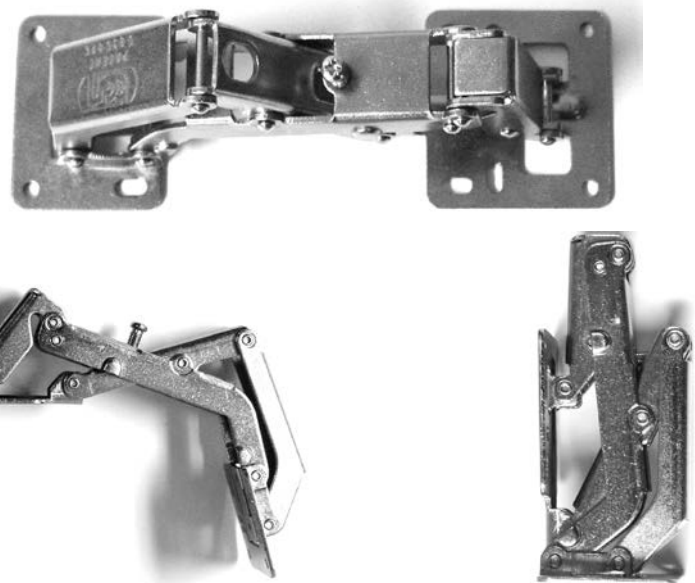
42.150 **Easy on hinge** (2000/150) not spring loaded
42.15S **Easy on hinge** (2000/150S) spring loaded
150 degree opening,
For overlay, half overlay or insert doors.
Dimensions: Open: 5 3/16" L x 2 1/16" W
Required door thickness: 3/4" or 20 mm
The spring loaded version has an electroplated hardened steel spring.
Installation:
Easy and quick installing non mortise cabinet hinge, no machining. Self closing and self locking. (spring loaded version)



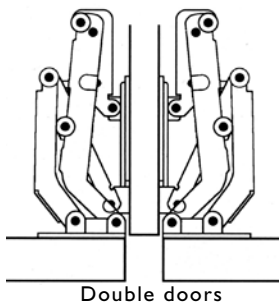
#42.150S 150 degree galvanized steel "easy on hinge", spring loaded hinge



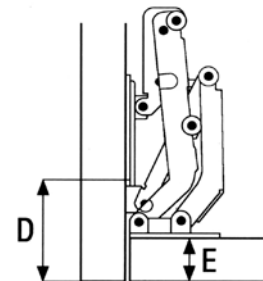
42.170 **Easy on hinge** (2000/170) not spring loaded
42.17S **Easy on hinge** (2000/170S) spring loaded
170 degree opening,
For overlay, half overlay or insert doors.
Dimensions: Open: 6 1/4" L x 2" W
Required door thickness: 3/4" or 20 mm
The spring loaded version has an electroplated hardened steel spring.
Installation:
Easy and quick installing non mortise cabinet hinge, no machining. Self closing and self locking. (spring loaded version)



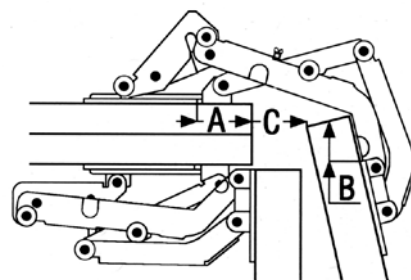
#42.17S 170 degree galvanized steel "easy on hinge", spring loaded hinge



Double doors



D= Maximum 44 mm
E= Maximum 20 mm

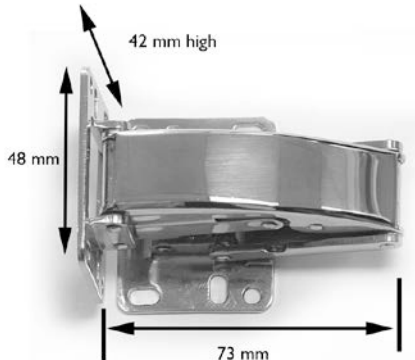


A= fixed at 24 mm C= distance 24 mm
B= adjustable from 0 to 20 mm

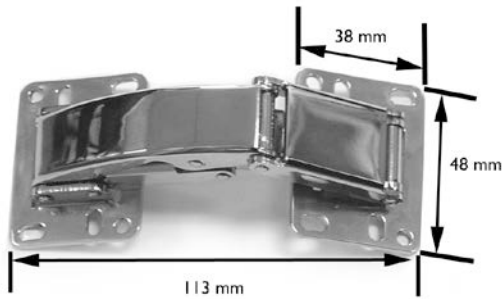


Izerwaren
Order
numbers

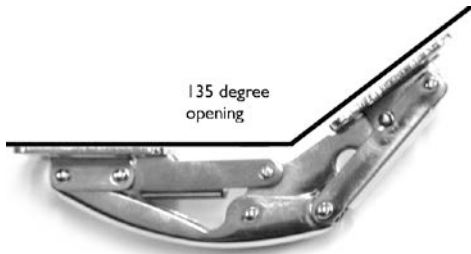
42.7753 **Invisible on hinge for cabinet doors
or small deck hatches**
316 polished stainless steel
125 degree opening
For inlay or up lay doors
Load: Max. 12 lb per hinge
12/19 mm door thickness



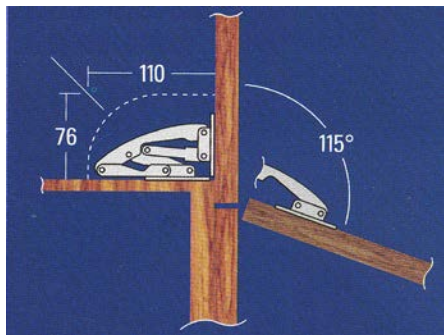
#42.7753 Easy On hinge;
Closed dimensions in mm: 73 long x 42 high x 48 wide



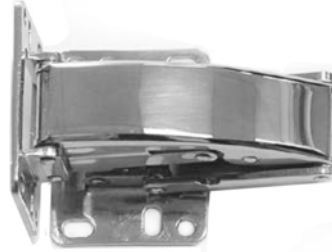
Open dimensions in mm: 113 long x 48 wide
Footprint hinge plates: 48 x 38 mm



135 degree max. angle on hinge



resulting in 125 degree opening door for the
small hinge 42.7753. Bigger size hinges
open 115 degree.



#42.7753 Easy On hinge; 135 degree 316 polished stainless steel



Easy on hinge closed: 73 x 62 x 2 mm thick.
Footprint: 48 x 38 mm.



#42.7753; 125 degree 316 stainless steel easy on hinge



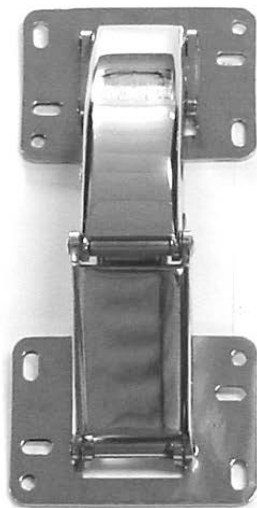
Half way open/ offset



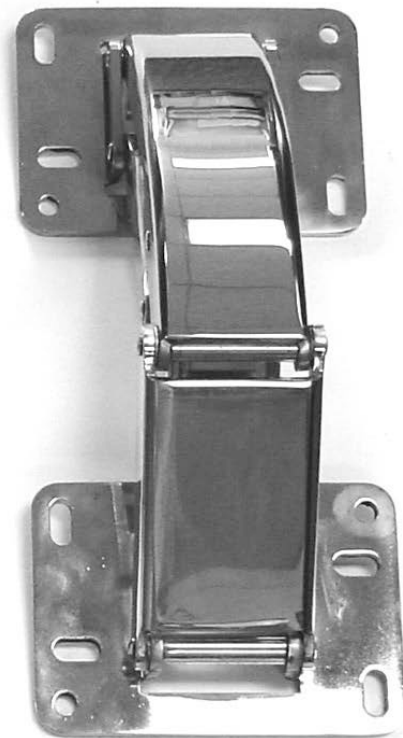
125 degree fully open



42.7753 Small: Max. load:
12 lb per hinge.



42.8865 Medium: Max. load:
50 lb per hinge.



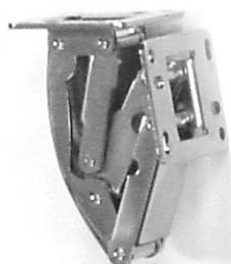
42.7755 Big: Max. load:
75 lb per hinge.

“EASY ON” HINGE FOR HATCHES, BULWARK DOORS AND CABINET DOORS.

* 316 polished stainless steel

* 115 degree opening

* For inlay and up lay doors



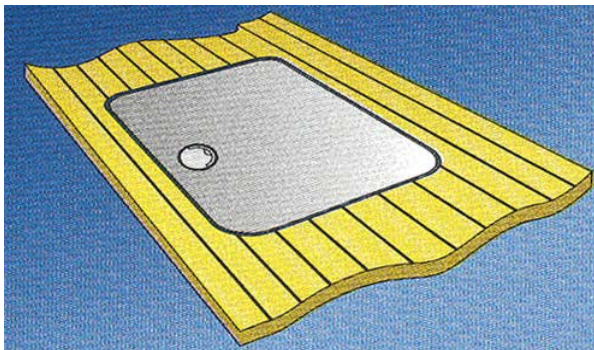
Size 3 x 2 5/8 inch



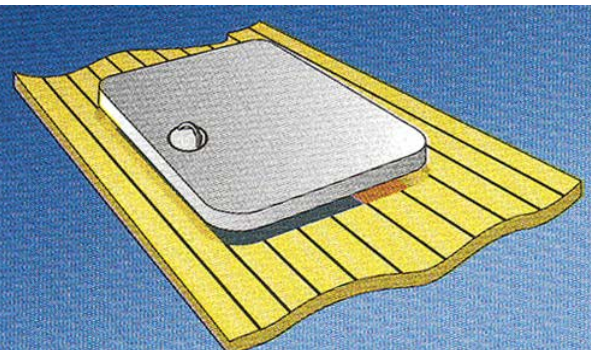
Size 4 1/4 x 2 1/2 inch



Size 6 7/8 x 3 3/4 inch

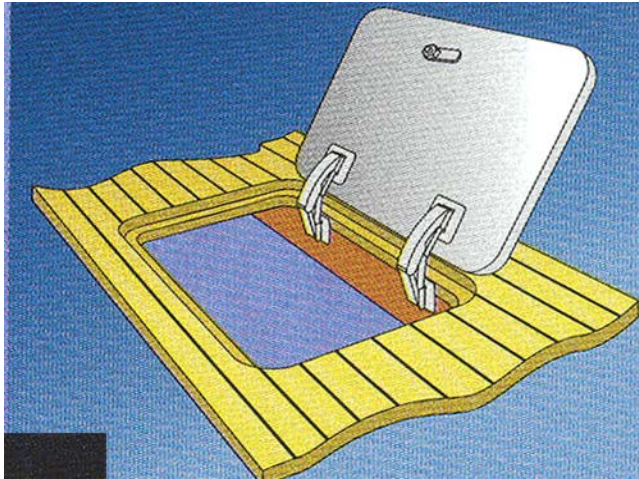


Closed position

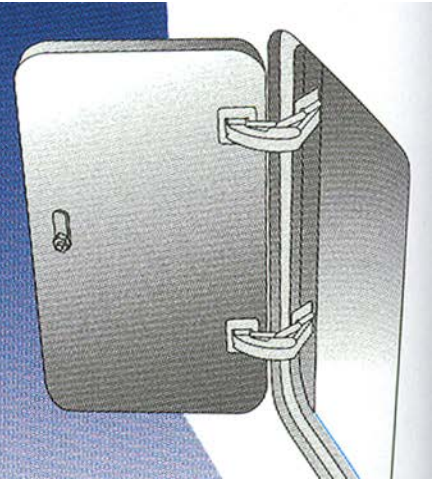


Lifts up first then out

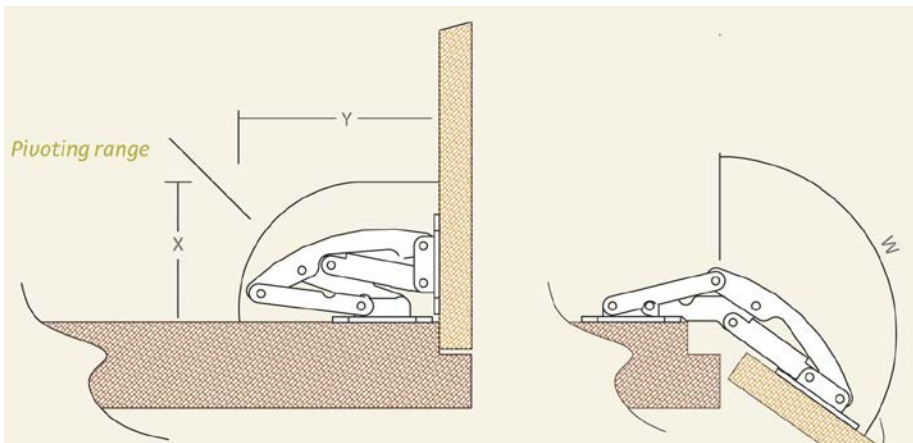
with lift ring #44.0980 with cam



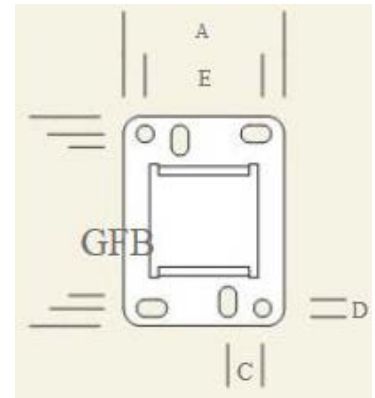
Opens 115 degree



Opens 115 degree

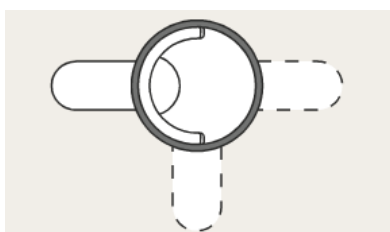


Art	A	B	C	øD	E	F	G	t	W	X	Y
42.7753	37	48	8	4	27	40	34	max. 12	125°	52	75
42.8865	57	80	12	5	37	68	58	max. 20	115°	85	115
42.7755	85	120	18	7	65	100	84	max. 30	115°	130	175

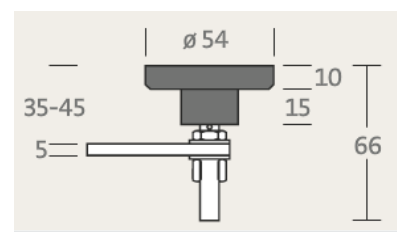


Footprint layout

B = length mounting plate
 F = center to center screw hole
 G = distance adjusting screw hole
 t = max. thickness of door



#44.0980 hatch fastener with cam and lift ring



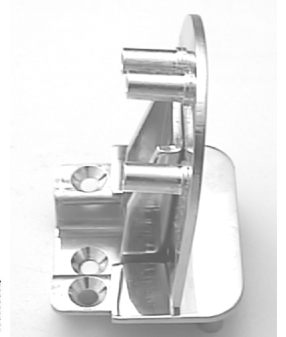
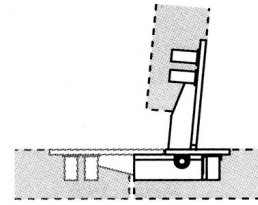
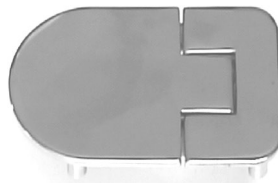
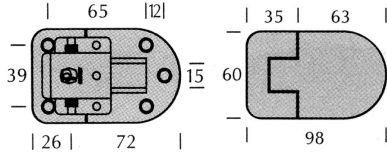


Izerwaren
Order
numbers
42.893

- 316 Stainless steel specialty hinges

**Hatch hinge
Hinge for deck boxes and hatches
with backstop 100 degrees**

Flush mount
Polished 316 stainless steel
No screws showing
Built in depth: 15 mm
Bushes: 15 mm; for M5 machine screws
Overall size: 60 x 98 mm
Material: 3 mm thick

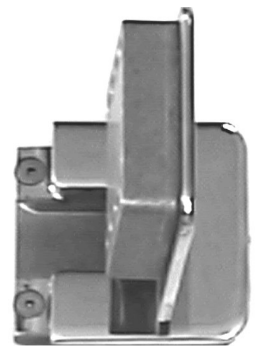
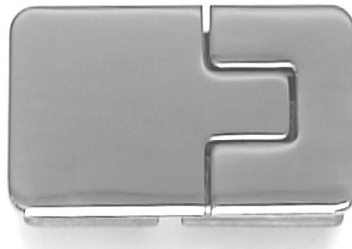


Hatch hinge #42.893 with 100 degree backstop, no screws showing 2 3/8"x3 7/8"

42.894

**Hatch hinge for hatches
with backstop 100 degrees**

Flush mount
Mirror Polished 316L stainless steel
No screws showing; with cover plates
1/8" material thickness
Built in depth: 5/8"
Overall size: 4 3/8" x 2 5/16"
Please see drawing on page 4-2-0-A
Material: casted 316L stainless steel
covers 1/8" 316 st.st. plate material



Hatch hinge #42.894, "2 x 4" heavy duty, with 100 degree backstop, no screws showing. Size: 4 3/8" x 2 5/16" x 5/8" (sizes and drawing on page 4-2-0-A)

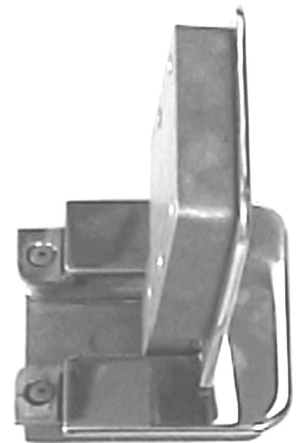
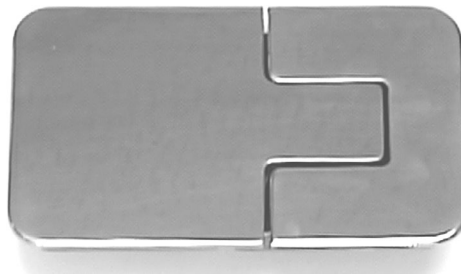


Depicted: Hinge #42.894
and hatch cam lift #43.555;

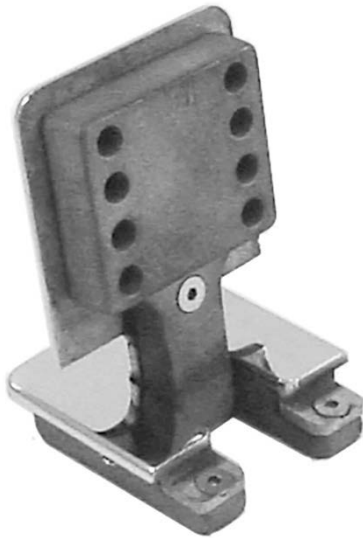
42.895

**Hatch hinge for hatches
with backstop 100 degrees**

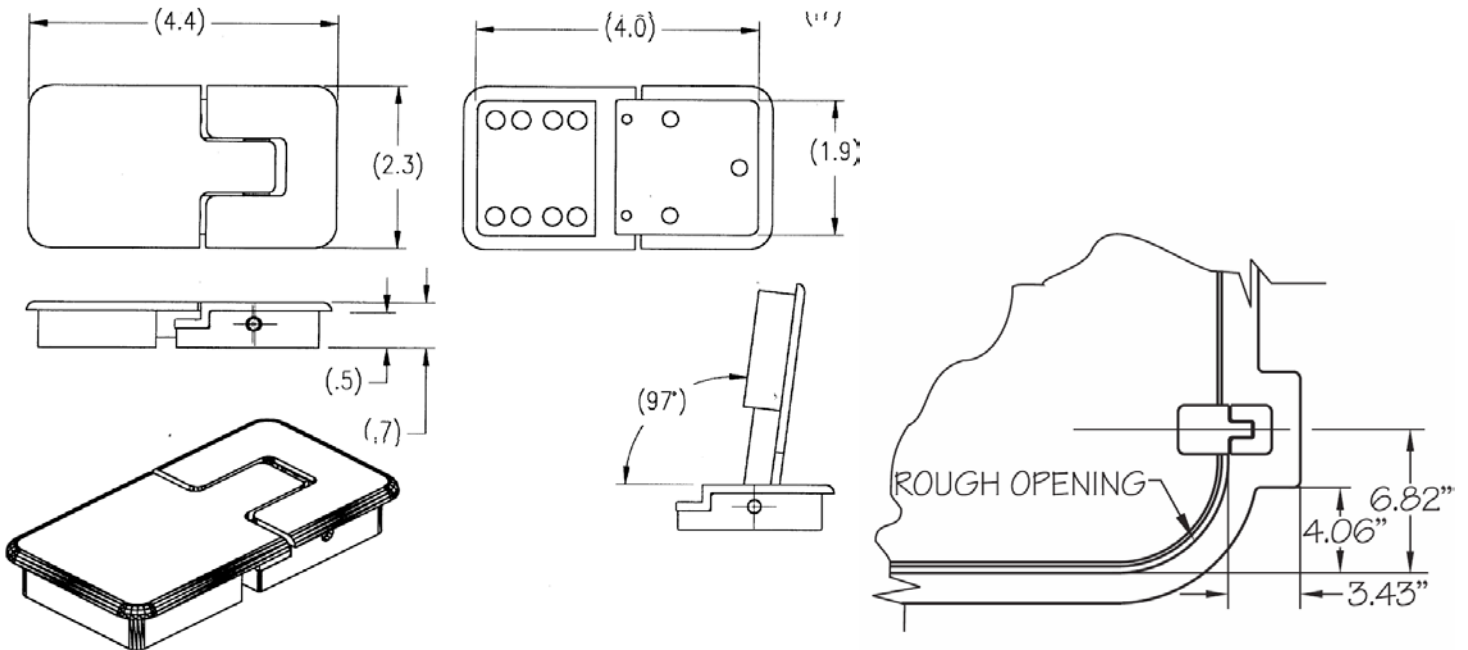
Flush mount
Mirror Polished 316L stainless steel
No screws showing; with cover plates
Built in depth: 5/8"
Overall size: 5 5/8" x 3 1/8"
Please see drawing on page 4-2-0-A
Material: casted 316L stainless steel
covers 1/8" thick



Hatch hinge #42.895, "3 x 6"; heavy duty, with 100 degree backstop, no screws showing. Size: 5 5/8" x 3 1/8" x 5/8" (sizes and drawing on page 4-2-0-A)



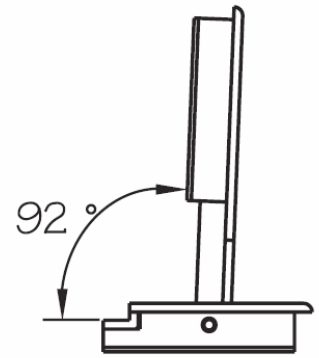
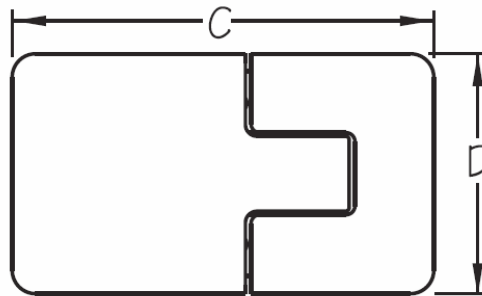
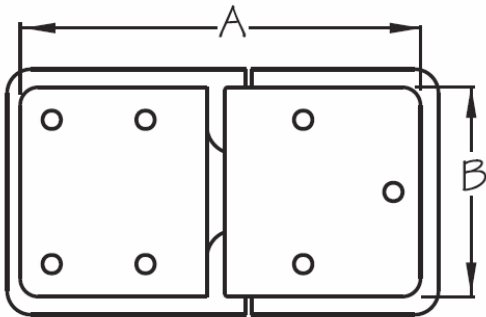
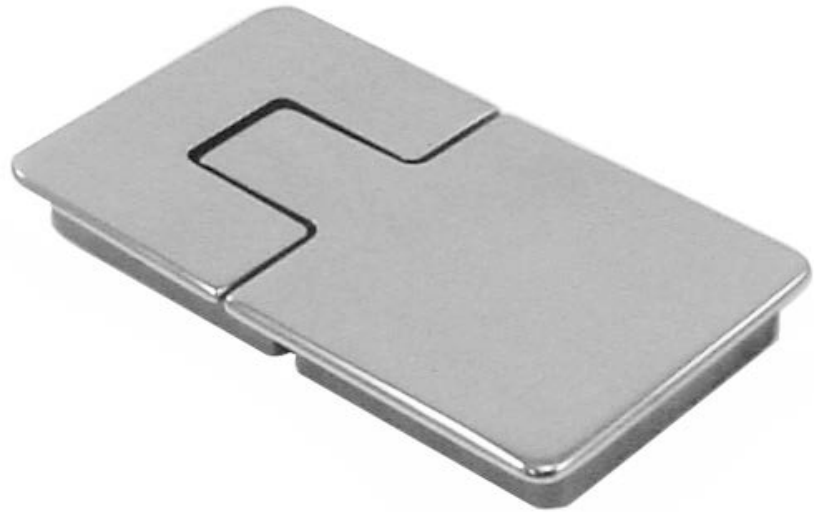
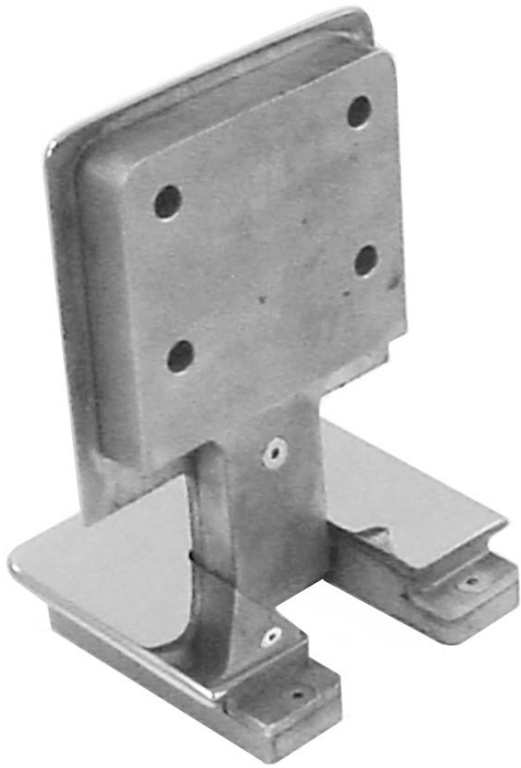
#42.894 Flush Deck Hinge 2"x 4" Opening: 97 degree; 316 stainless steel



#42.894 Flush Deck Hinge; Style: 2"x 4" Opening: 97 degree; 316 stainless steel

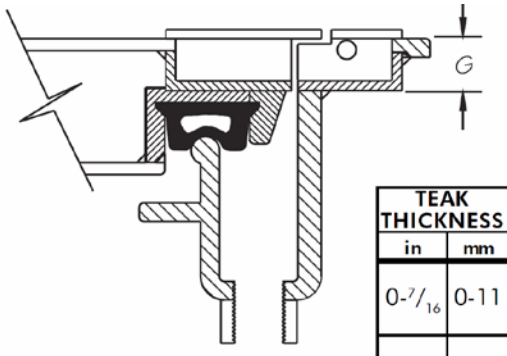


Teak Hatch with Hatch hinges #42.894 and Lift Ring #43.555 (see page 4-3-4-0)

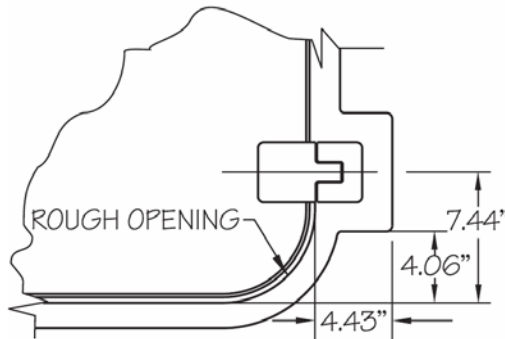


#42.894 hatch hinge; 92 degree opening A= 5.29 inch; B= 2.65 inch C= 5.84 inch D= 3.20 inch

Style 3 x 6



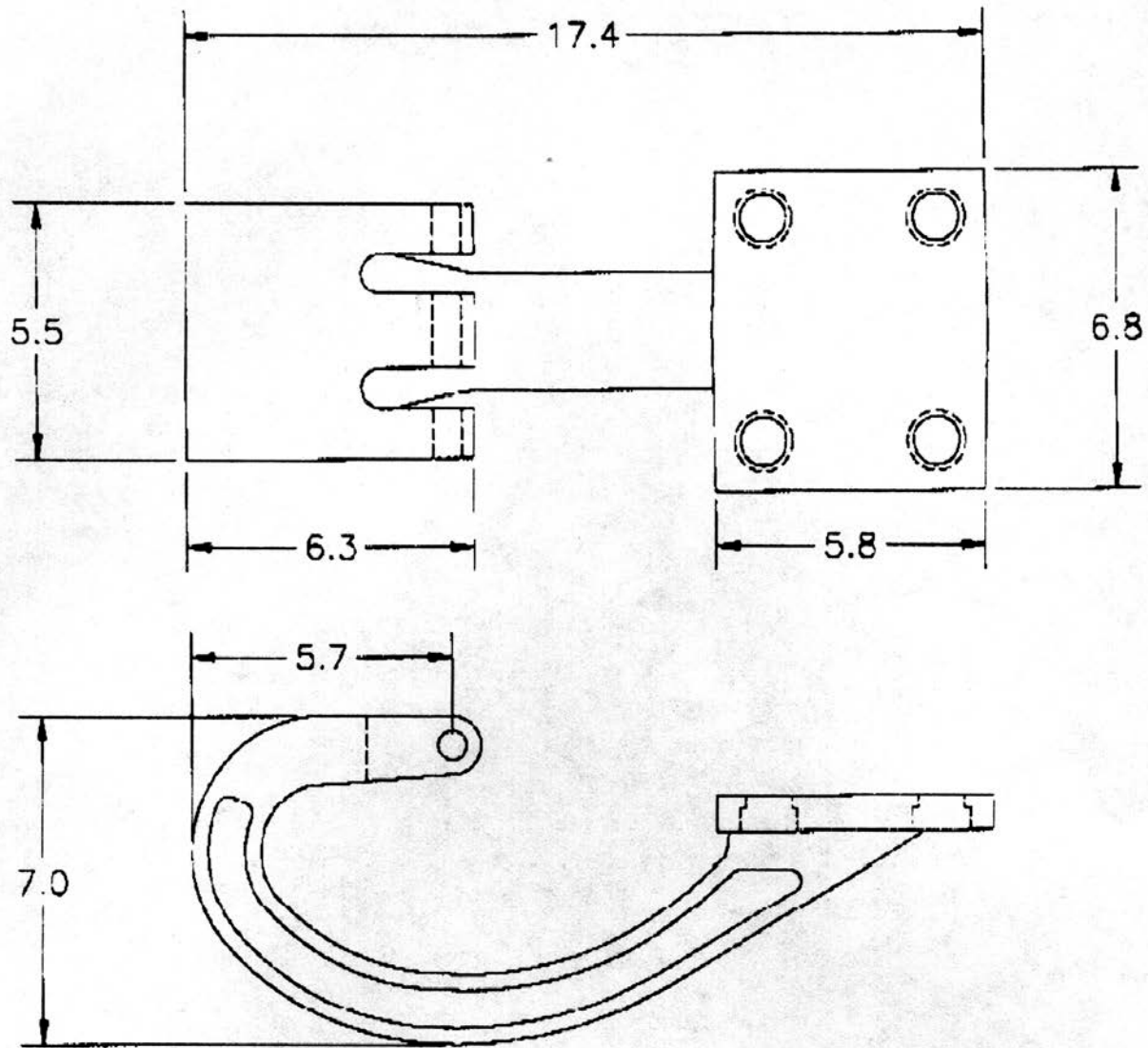
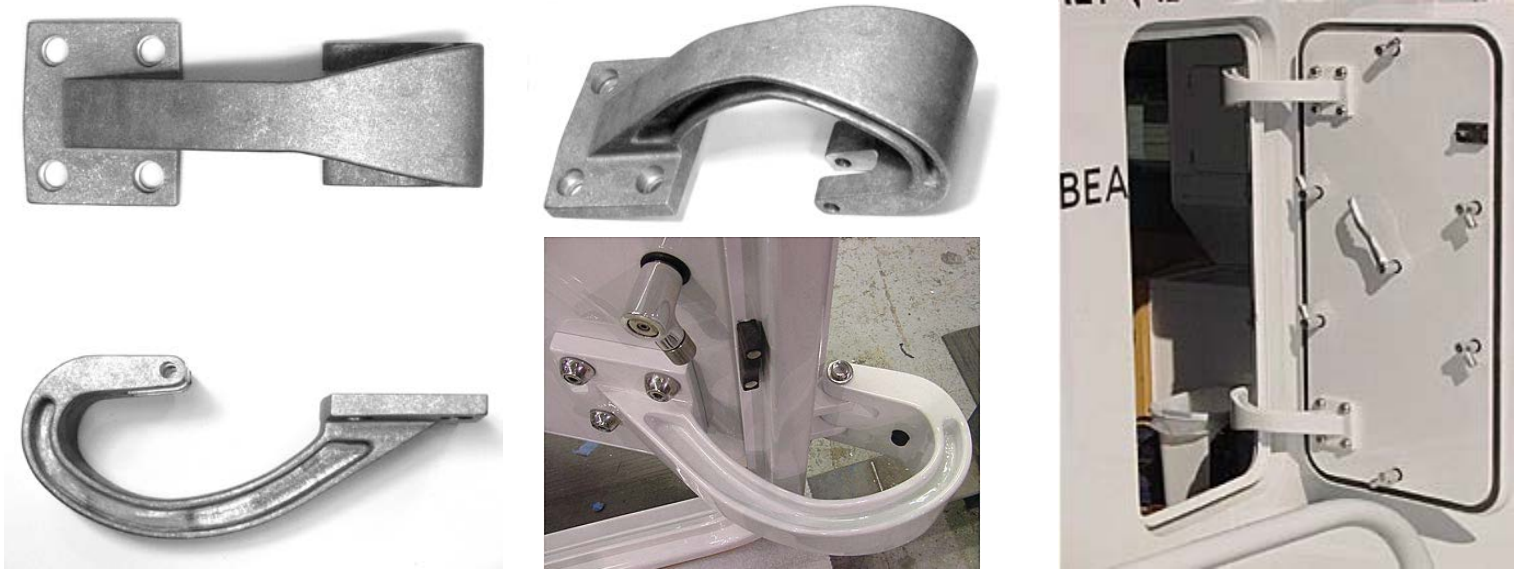
TEAK THICKNESS	
in	mm
0.7/16	0-11



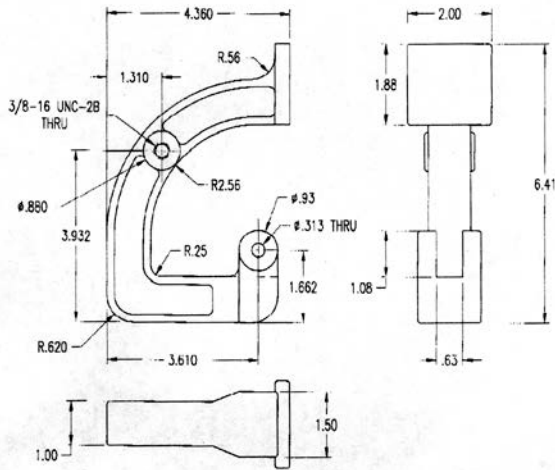
Mounting Suggestions for 3 x 6 style hinge.

Hatch Cam Lock #115.43

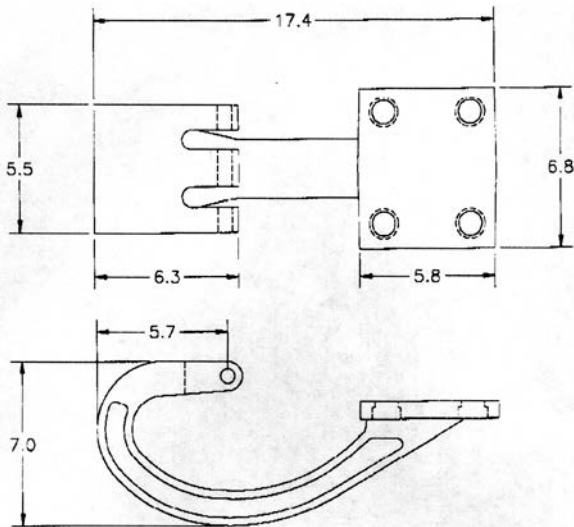
316 stainless steel hinge has loose top plates



C-Hinge Bracket 7"x 17.5" Izerwaren order number #42.524C
Recommended maximum weight limit hatch: 400 lbs. Parts casted aluminum alloy not painted



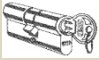
C hinge bracket 3.5" x 6" Izerwaren order number #42.739C Recommended Max weight hatch: 100 lbs. Parts casted aluminum alloy not painted.



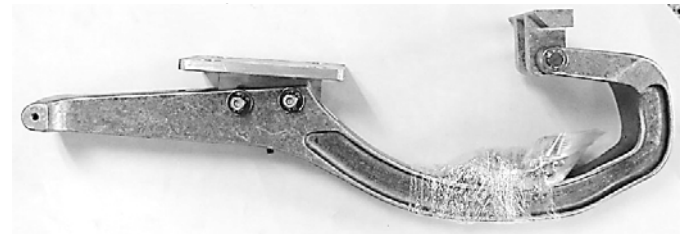
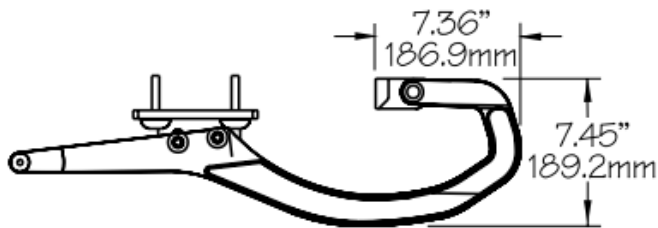
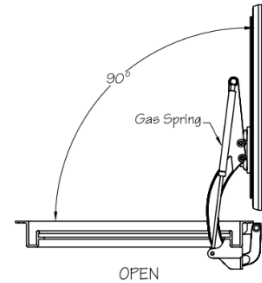
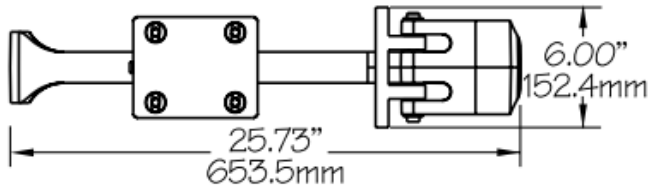
#42.524C - C-Hinge Bracket 7"x 17.5" Max weight hatch: 300 lbs. Parts casted aluminum alloy not painted.



Sample applications hinge #42.524C

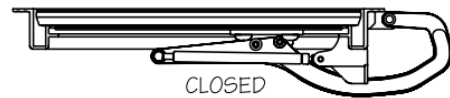
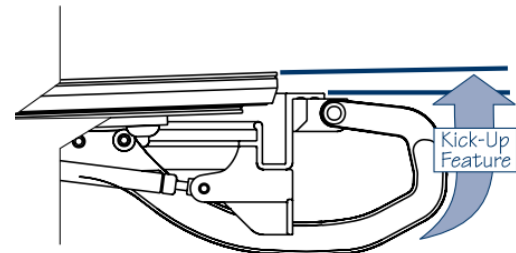
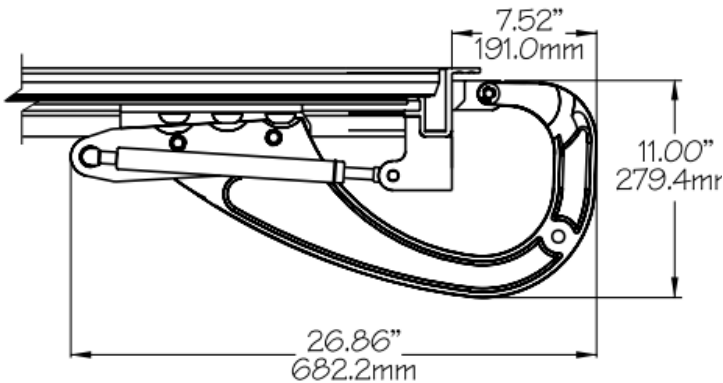


Yoke Hinges with Gas Spring Set Up
Kick-up with gas springs on the coaming



Yoke Hinge, Small, Pivoting.
Part No.: 42.2129

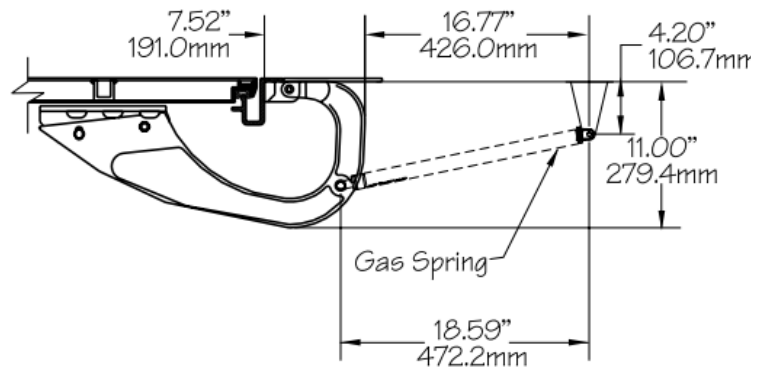
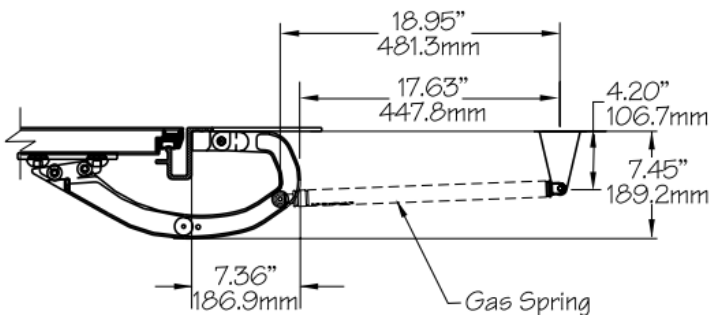
Part No.: 42.2129



Yoke Hinge, Big, Pivoting.
Part No.: 42.2130

Sample of kick-up function shown above

Yoke Hinge with Gas Spring Behind the Hinge

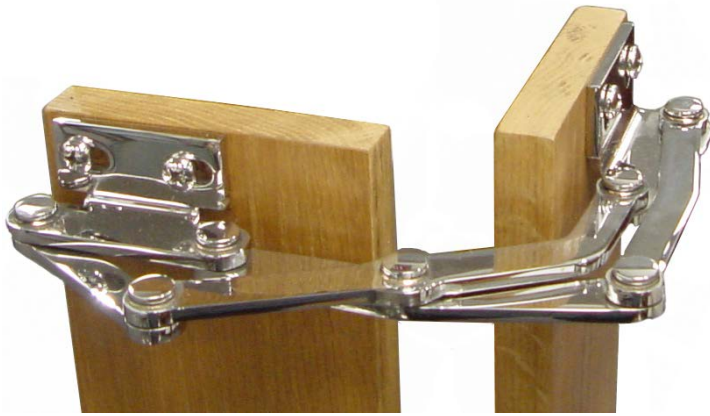


Yoke Hinge, small, pivoting.
Part No.: 42.2129

Yoke Hinge, Big, Pivoting.
Part No.: 42.2130

Gas spring #64.440 -- 14-23-400 series with short eyes

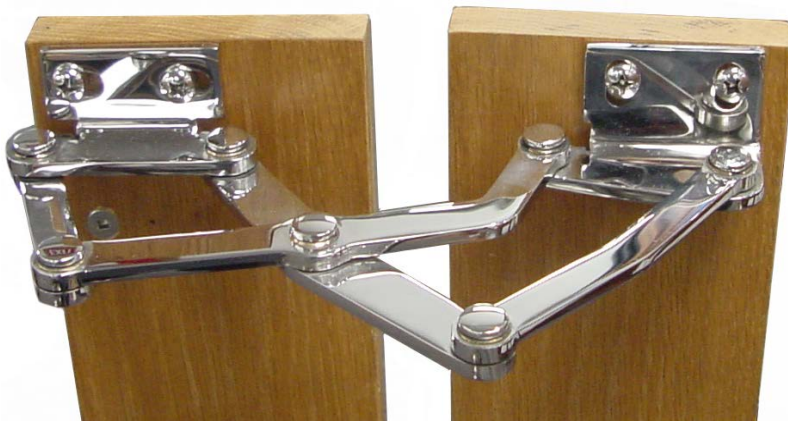
Gas spring #61.440 -- 14-23-400 series with short eyes



#44.7237LI; Left; 180 degrees Open Position Polished Stainless Steel
BRONZE BEARINGS



#44.7237LI; Left; Closed Position Polished Stainless Steel
BRONZE BEARINGS



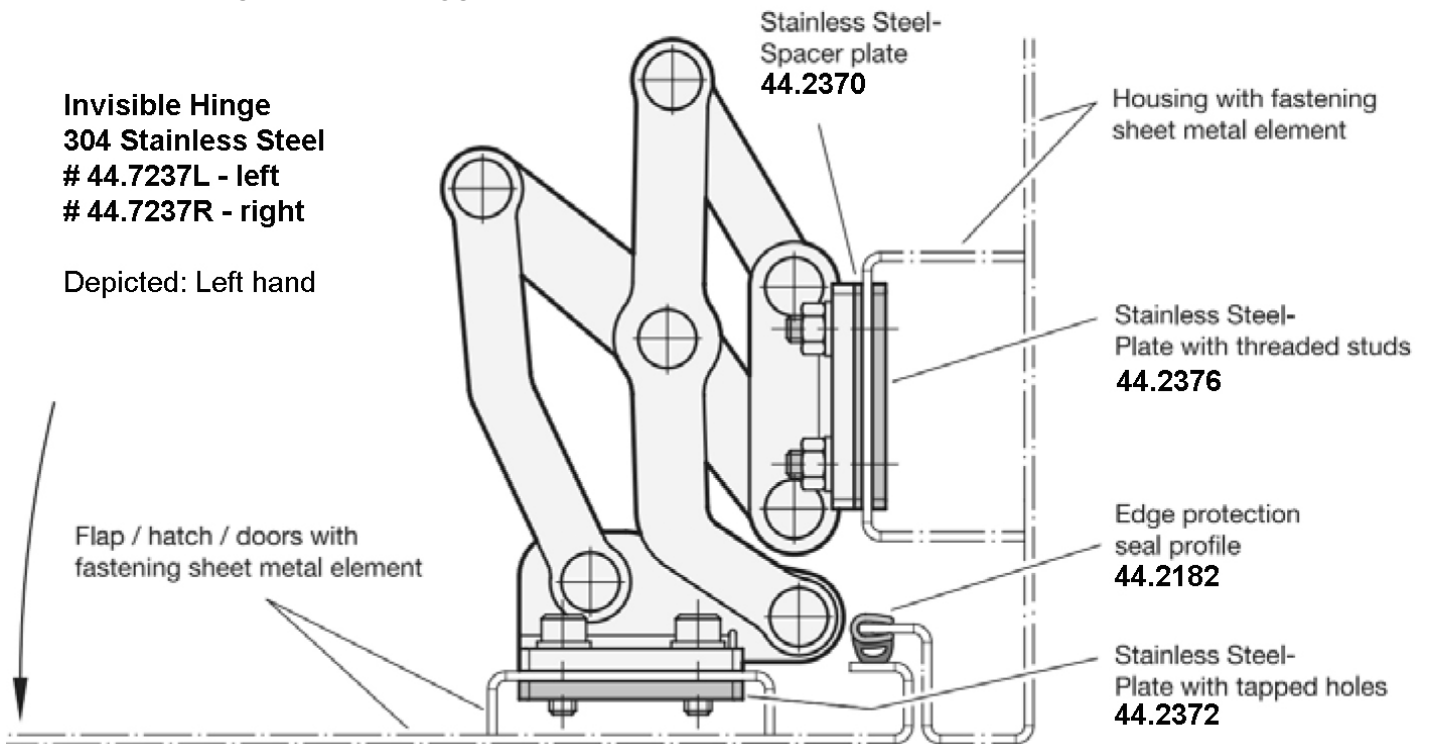
#44.7237LI; Left; Open 90 degrees Polished Stainless Steel
BRONZE BEARINGS



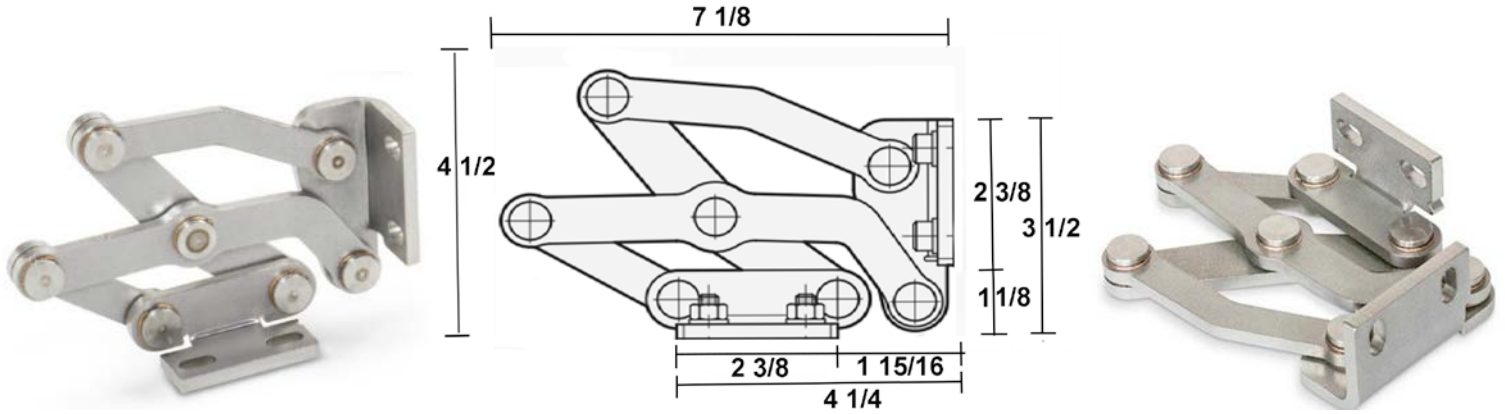
#44.7237L; Left hand; Tumbled Stainless Steel finish

Invisible Hinge
304 Stainless Steel
44.7237L - left
44.7237R - right

Depicted: Left hand



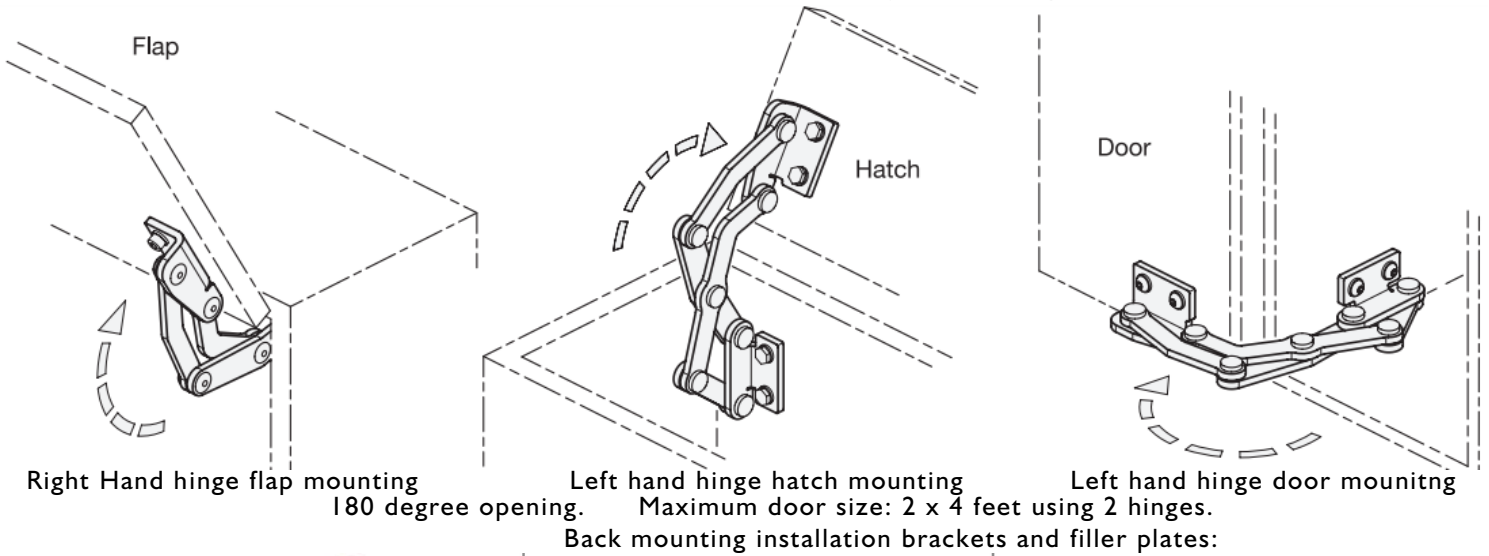
BRONZE BEARINGS, 304 tumbled stainless steel



#44.7237L Left Invisible Hinge
#44.7237R Right

Picture showing Left Hand 304 stainless steel 180 degree opening
BRONZE BEARINGS For door weights up to 50 lbs. using 2 hinges
 Mounting Plates Footprint: 2 3/8 inch x 1 inch

Size: 4 1/2 x 7 1/8 inch.



#44.2376 Plate with threaded studs

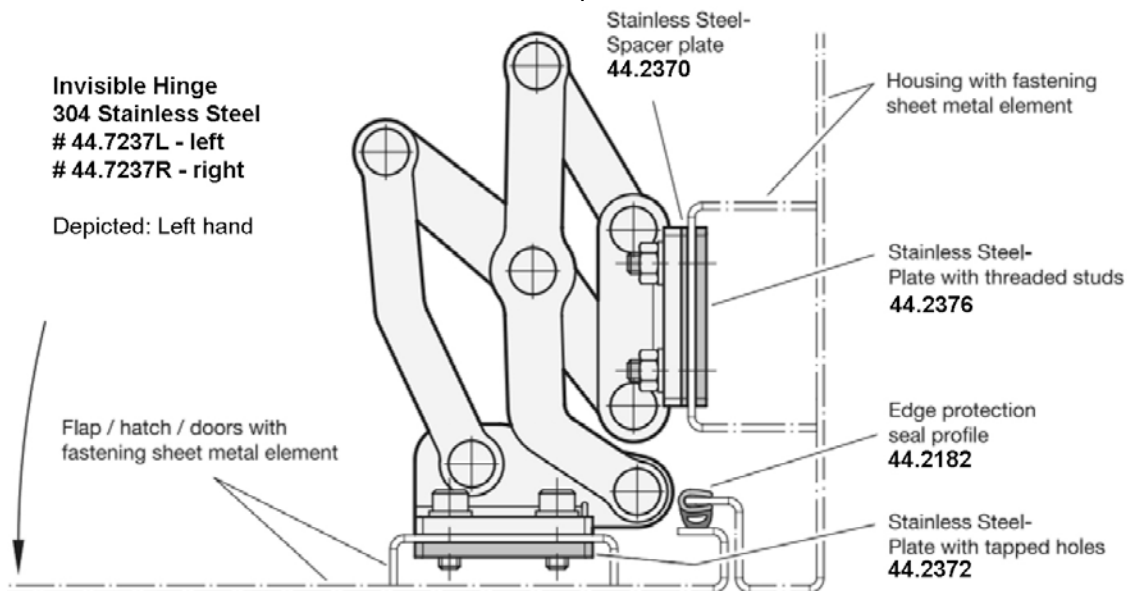


#44.2370 Spacer Plate



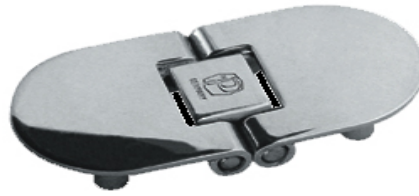
#44.2372 Threaded Plate for back mounting

Invisible Hinge
 304 Stainless Steel
44.7237L - left
44.7237R - right
 Depicted: Left hand

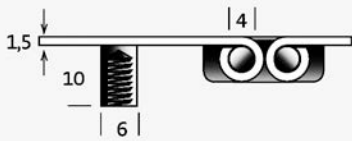




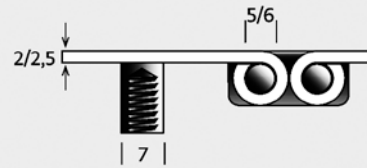
316 MIRROR POLISHED AND ELECTRO POLISHED STAINLESS STEEL



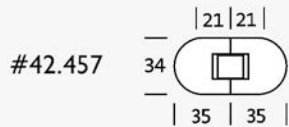
#42.638 Double barrel deck lid hinge



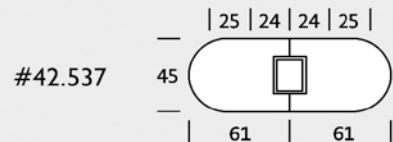
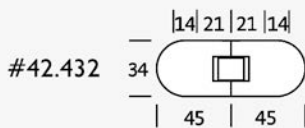
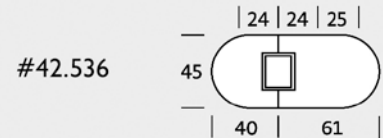
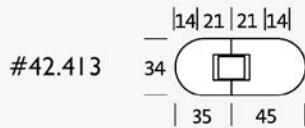
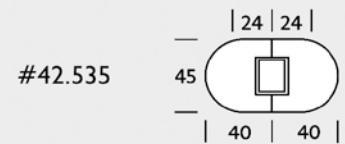
Gewindebuchsen für M4,
Material 1,5 mm
Threaded shanks for M4,
material 1,5 mm



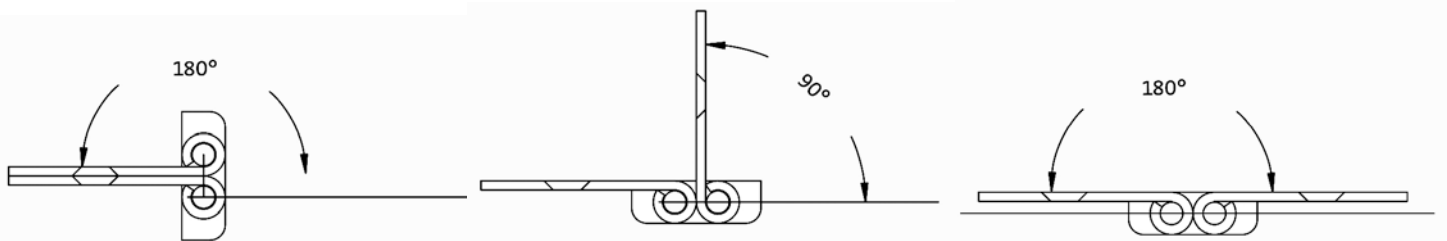
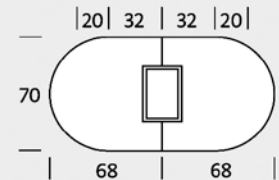
Gewindebuchsen
für M5,
Material 2/2,5 mm
Threaded shanks
for M5,
material 2/2,5 mm



Material 2 mm
Buchsen: 12 mm lang
Material 2 mm
threaded shanks:
12 mm long

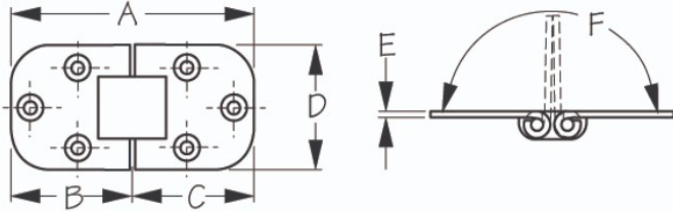


Material 2,5 mm
Buchsen: 15 mm lang
Material 2,5 mm
threaded shanks:
15 mm long



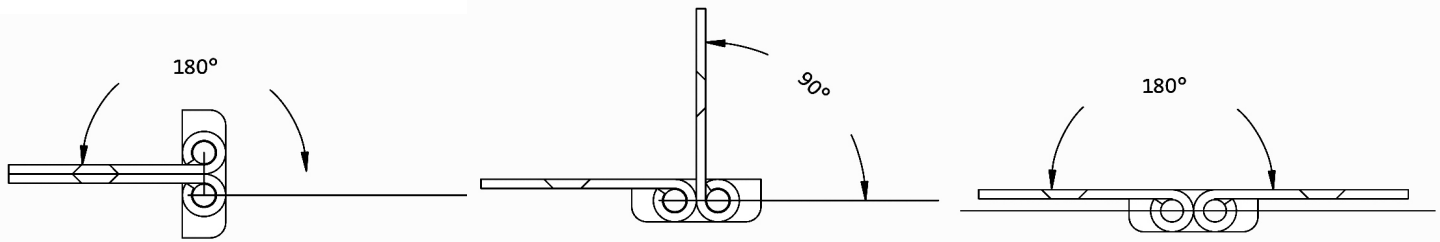


304 MIRROR POLISHED STAINLESS STEEL



#42.1551 Double barrel deck lid hinge: 3 x 1 1/2 inch.

A	B	C	D	E	F
3"	1-1/2"	1-1/2"	1-1/2"	1/16"	180°



Order numbers

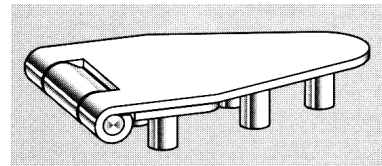
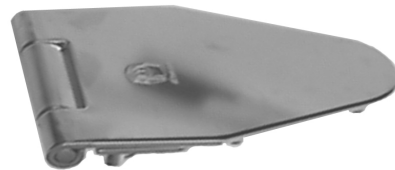
- Stainless steel hatch hinges
- 316 stainless steel
- Sea water resistant
- Finish: Electro polished stainless steel

Hinge for deck boxes and hatches

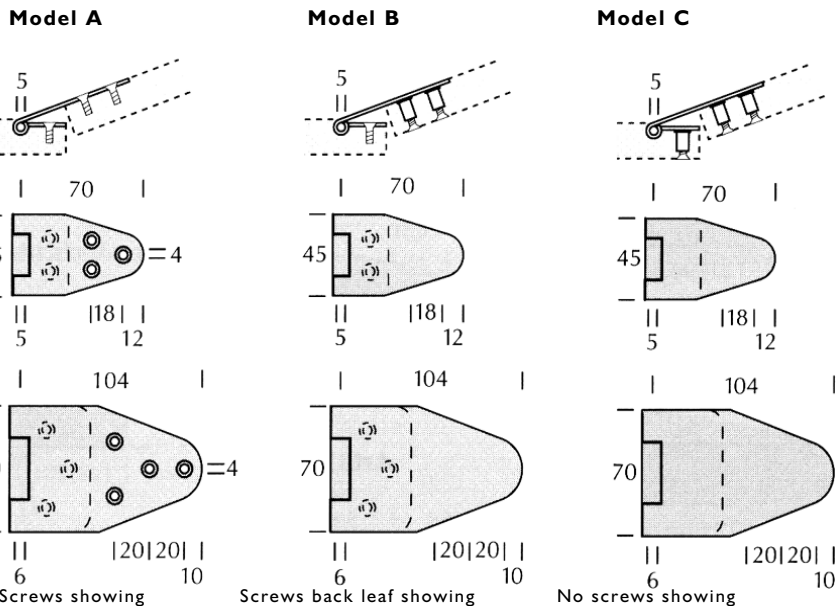
Flush mounting
Polished 316 stainless steel

- 42.880 **Model A:** screws showing
45 x 70 mm; 2 mm thick; Pin 5 mm
- 42.861 **Model B:** screws showing on back leaf
45 x 70 mm; Bush 12 mm for M5
- 42.878 **Model C:** no screws showing
45 x 70 mm; Pin 5 mm
Bush 12 mm for M5 machine screws.
- 42.881 **Model A:** screws showing
70 x 104 mm; 2.5 mm thick; Pin 6 mm
- 42.862 **Model B:** screws showing on back leaf
70 x 104 mm; bush 15 mm for M5; Pin 6 mm
- 42.879 **Model C:** no screws showing
70 x 104 mm; 2.5 mm thick; Pin 6 mm
Bush 15 mm for M5 machine screws.

316 POLISHED STAINLESS STEEL DECKBOX HINGE



Deck box hinge



Deckbox showing with #42.879 hinge

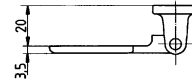
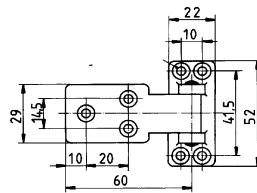


Izerwaren
Order
numbers

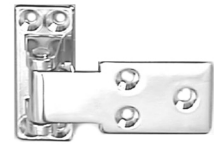
Hatch hinges, brass and die cast
aluminum and stainless steel

42.255

Hinge each, both handed
Light duty
Polished chrome plated dycast
Offset: 3/4" ~ 20 mm
Overall size: 60 x 52 mm



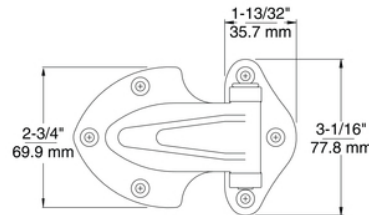
#42.255 door hinge 3/4" offset (20 mm)



#42.255 Door Hinge 3/4" offset
zinc dycast

42.40119

Hinge each, size: 3 1/2" x 3 1/16"
Medium Duty
Available in flush mounting or
offset.
Offset form 0 to 1 1/8" offset
Polished Chrome Dycast



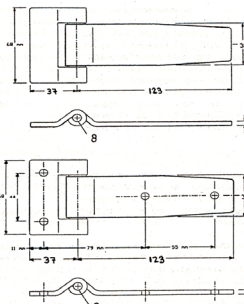
#42.40119; Size: 3 1/2" x 3 1/16" Medium Duty
Available in flush mounting or offset.
Offset from 0 to 1 1/8" offset



#42.40119 size: 3 1/2" x 3 1/16"
Polished chrome diecast

42.273

Hinge each, size: 4 inch leaf;
Heavy Duty
Flush mounting only
SATIN STAINLESS STEEL



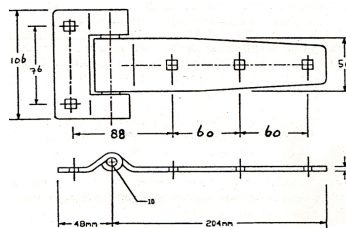
#42.273 with and without holes
Flush mounting only



#42.273; size: 4 inch; Heavy Duty
Available in flush mounting only
SATIN STAINLESS STEEL

42.7294

Hinge each, size: 8 1/4 inch leaf;
Heavy Duty
Flush mounting only
SATIN STAINLESS STEEL



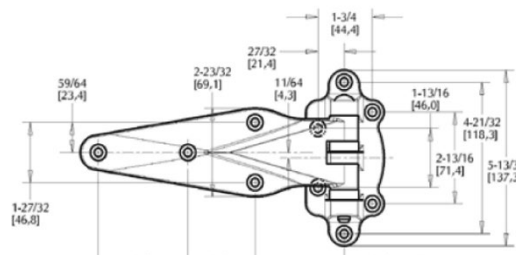
#42.7294 with and without holes
Flush mounting only



#42.7294; size: 9 3/4 inch; Heavy Duty
Available in flush mounting only
SATIN STAINLESS STEEL

42.40233

Hinges strap hinge flush
205 x 137 mm
8 1/8" x 5 13/32"
Chrome Plated Brass



#42.40233 strap hinge flush 205 x 137 mm
8 1/8" x 5 13/32"



#42.40233 strap hinge flush 205 x 137 mm
8 1/8" x 5 13/32"
Polished Chrome Plated Brass

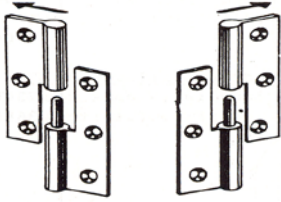


Izerwaren
Order
numbers

- Stainless steel hinges
- Sea water resistant
- Satin stainless steel

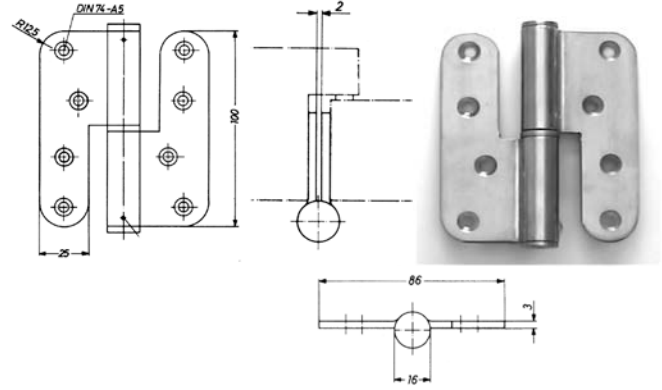
42.503
42.504

Left Hand
Right Hand
Lift off hinge rounded corners
100 x 85 x 3 mm
barrel 16 mm diameter, pin 10 mm
304 stainless steel
specify left or right



DIN left DIN right

**EXTERIOR GRADE 304 STAINLESS STEEL
LIFT OFF HINGES**



Lift off hinge 100 high x 85 mm wide: #42.503 and #42.504
Lift off hinge 95 high x 90 mm wide 4 mm thick #42.505 and 42.506

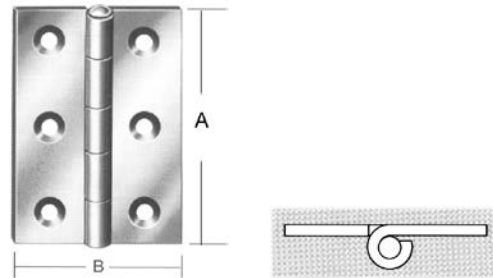
Half Wide Hinges

Non removable pin
304 stainless steel
Interior grade

	high x wide x thick	inch sizes
42.523	40 x 32 x 0.9 mm	~ 1 7/16 x 1 1/4
42.524	50 x 39 x 1.0 mm	~ 2 x 1 1/2
42.525	60 x 46 x 1.2 mm	~ 2 3/8 x 1 13/16
42.526	80 x 58 x 1.5 mm	~ 3 1/8 x 2 1/4
42.527	100 x 72 x 1.5 mm	~ 4 x 2 13/16

**INTERIOR GRADE 304 STAINLESS STEEL
CABIN AND CABINET HINGES**

Half Wide Hinges - Non removable pin



half wide hinge #42.52xx

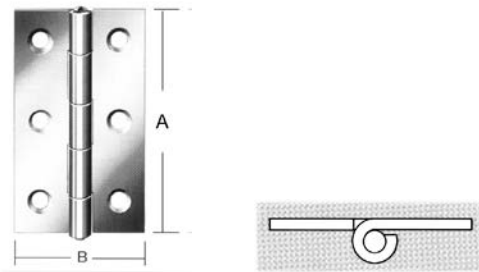
**INTERIOR GRADE 304 STAINLESS STEEL
CABINET HINGES**

Narrow Hinges - Non removable pin

Narrow hinges for cabinet doors

Non removable pin
304 stainless steel
Interior grade

	high x wide x thick	inch sizes
42.513	30 x 22 x 0.8 mm	~ 1 3/16 x 7/8
42.514	40 x 26 x 0.9 mm	~ 1 7/16 x 1
42.515	50 x 31 x 1.0 mm	~ 2 x 1 1/4
42.516	60 x 34 x 1.2 mm	~ 2 3/8 x 1 3/8
42.518	80 x 41 x 1.5 mm	~ 3 1/8 x 1 5/8
42.519	100 x 52 x 1.5 mm	~ 4 x 2

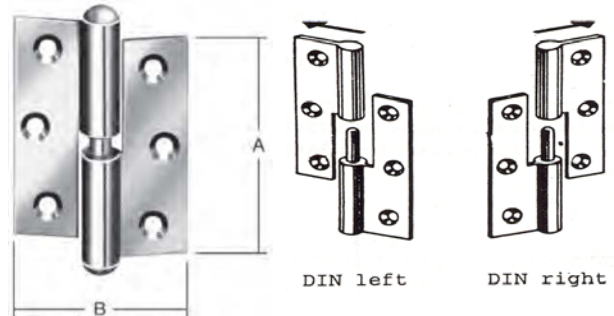


narrow hinge #42.51xx

Lift off Cabinet Hinge

304 stainless steel
Interior grade

	high x wide x thick	inch sizes
42.20050	50 x 40 x 1.5 mm Left	2 x 1 9/16
42.20051	50 x 40 x 1.5 mm Right	2 x 1 9/16



#42.20050 Left Hand lift of hinge
#42.20050 Left Hand lift of hinge



Izerwaren
Order
numbers

- Brass hinges for cabinet doors
- Light duty
- NOT Sea water resistant
- Finish in stock:
- polished chrome plated brass
- other finishes are custom orders

Hinge for cabinet doors



#42.728 1 1/2" x 1 1/2"



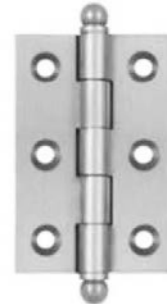
#42.727 2" x 1 1/2"

42.728 brass butt hinge 1 1/2" x 1 1/2"
barrel 1/4" thickness 5/64"
removable pin, with finial

42.727 brass butt hinge 1 1/2" x 2"
barrel 1/4" thickness 5/64"
removable pin, with finial



#42.726 2"x2"



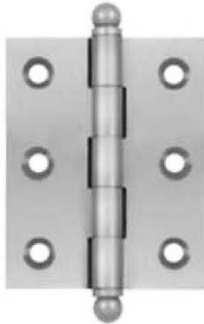
#42.725 2 1/2" x 1 1/16"

42.726 brass butt hinge 2" x 2"
barrel 1/4" thickness 5/64"
removable pin, with finial

42.725 brass butt hinge 1 3/4" x 2 1/2"
barrel 1/4" thickness 3/32"
removable pin, with finial

All hinges have ball tip finial.

42.724 brass butt hinge 2" x 2 1/2"
barrel 1/4" thickness 3/32"
removable pin, with finial



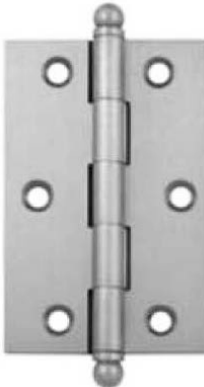
#42.724 2 1/2" x 2"



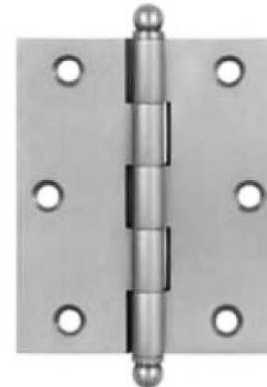
#42.723 2 1/2" x 2 1/2"

42.723 brass butt hinge 2 1/2" x 2 1/2"
barrel 1/4" thickness 3/32"
removable pin, with finial

42.722 brass butt hinge 2" x 3"
barrel 5/16" thickness 1/8"
removable pin with finial



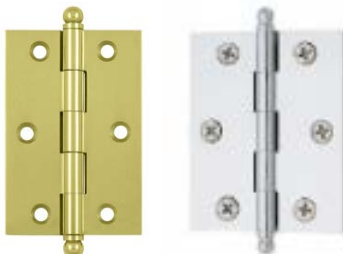
#42.722 3" x 2"



#42.721 3" x 2 1/2"

42.721 brass butt hinge 2 1/2" x 3"
barrel 5/16" thickness 1/8"
removable pin with finial

All hinges have ball tip finial.

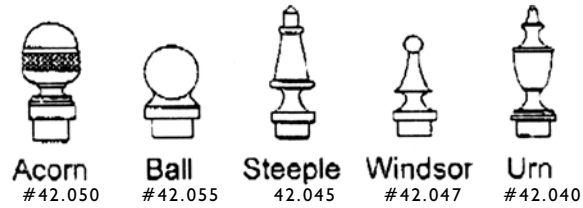


INTERIOR GRADE CABINET HINGES WITH STEEL PIN, NOT SEAWATER RESISTANT.



Finial options for cabinet and cabin door hinges

Custom order only





Izerwaren
Order
numbers

- Brass hinges for cabin doors
- Medium heavy duty
- Interior grade NOT Sea water resistant
- Finish:
- polished chrome plated brass

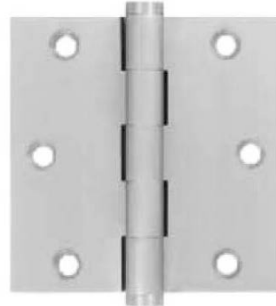
Medium Duty Hinges for cabin doors

For heavy duty see page 4-2-8
For stainless steel: page 4-2-5 & 4-2-9

42.650 brass butt hinge 3" x 2 1/2"
barrel 7/16"
with tip finial
steel pin



42.651 brass butt hinge 3" x 3"
barrel 7/16"
with tip finial
Steel pin



42.652 brass butt hinge 3 1/2" x 3 1/2"
barrel 1/2" , steel pin
with tip finial



42.6525 brass butt hinge 3 1/2" x 3 1/2"
barrel 1/2" with steel bearings
with tip finial
not seawater resistant
interior grade, steel pin

42.6583 brass butt hinge 4" x 3"
with steel ball bearings
with tip finial
not seawater resistant
interior grade, steel pin



42.604 brass butt hinge 4" x 4"
interior grade, steel pin
with tip finial

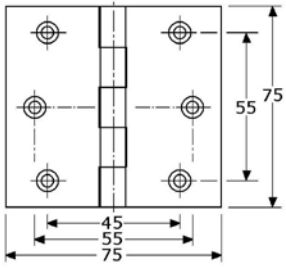
42.6042 brass butt hinge 4" x 4"
interior grade, with steel ball bearings
with tip finial



42.653 brass butt hinge 4 1/2" x 4 1/2"
interior grade, steel pin
with tip finial

42.655 brass butt hinge 4 1/2" x 4 1/2"
with steel ballbearings with tip finial
not seawater resistant
steel pin and steel bearings

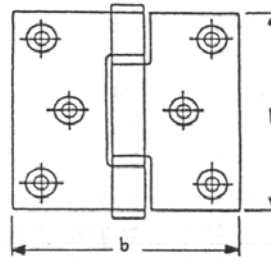
STEEL BEARINGS, STEEL PINS, INTERIOR GRADE; NOT SEAWATER RESISTANT



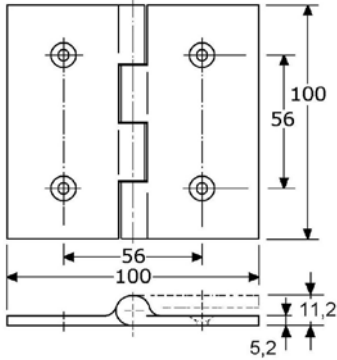
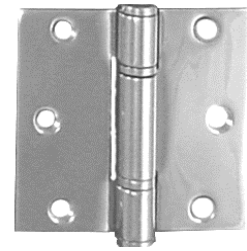
#42.578 - hinge 75 x 75 x 2.5 mm;
3" x 3" x 3/32"



medium duty, for cabin doors
316 stainless steel.



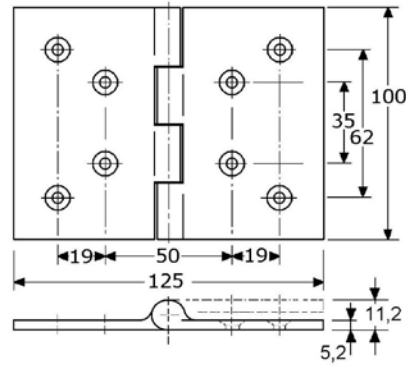
#42.215 hinge 76 x 76 x 2.5 mm pin: 12 mm diameter
3" x 3" x 3/32"



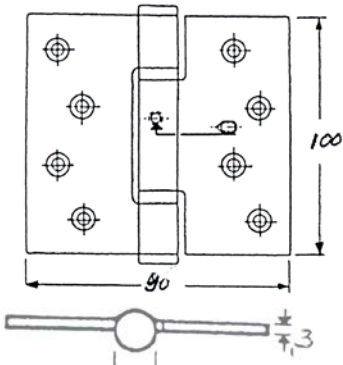
#42.287 - 100 mm x 100 mm x 5.2 mm;
4" x 4" x 3/16"



heavy duty, for cabin and weather doors
316 stainless steel.



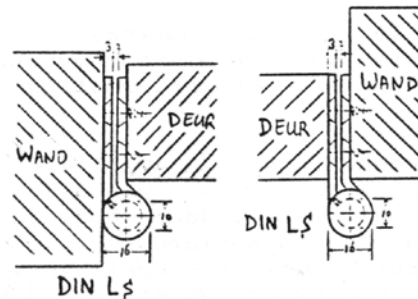
#42.262 - 100 mm x 125 mm x 5.2 mm;
5" x 4" x 3/16"



#42.236 Hinge 90 x 100 x 3 mm Pin: 16 mm
Pin has set screw, cannot be removed
3 1/2" x 4" x 1/8"



316 stainless steel.



42.237 Hinge 90 x 100 x 3 mm offset LEFT HAND (showing)
42.238 Hinge 90 x 100 x 3 mm offset RIGHT HAND



#42.1150 Hinge 4.5" x 4.5" x 3/16"
with stainless steel ball bearings
316 stainless steel.



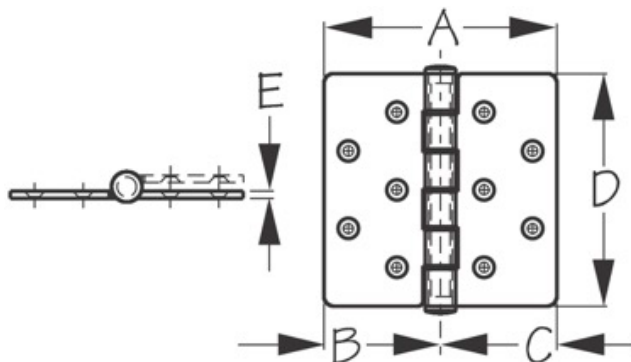
Polished Cast 316 Stainless Steel Hinges with Nylon Washers in 1/8 and 3/16 inch thick .



Izerwaren part #	Description	Wide A	High D	Thickness E
#42.05242	316 stainless steel hinge	3	3	1/8
#42.05243	316 stainless steel hinge	3	4	1/8
#42.05244	316 stainless steel hinge	4	4	1/8
#42.05246	316 stainless steel hinge	5	5	1/8



Izerwaren part #	Description	Wide A	High D	Thickness E
#42.05228	316 stainless steel hinge	6	6	3/16
#42.05237	316 stainless steel hinge	5.5	4.5	3/16
#42.05228	316 stainless steel hinge	4.5	4.5	3/16



Cast 316 stainless steel.



Order numbers

- Heavy duty
- Sea water resistant
- Fixed pin
- Finish:
 - Mill Finish
 - Satin brushed
 - Mirror polished

STAINLESS STEEL Heavy Duty Hinges for Exterior and Weather Door Applications

42.433 **3" x 3"**
 316 Rolled Stainless Steel Butt Hinge
 3" x 3" x 12 guage approx. 1/8" thickness
 76 mm W x 76 mm H x 3 mm thick
 Standard drilled for #12 screws

42.444 **4" x 4"**
 316 Rolled Stainless Steel Butt Hinge
 4" W x 4" H x 12 guage approx. 1/8"
 103 mm W x 103mm H x 3 mm thick
 Standard Driled for #12 screws

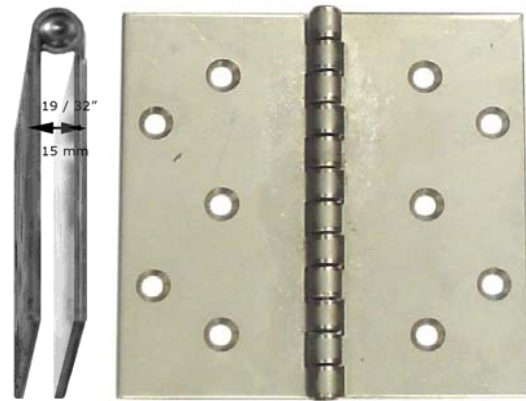
42.455 **5" x 5"**
 316 Rolled Stainless Steel Butt Hinge
 5" x 5" x 12 guage approx. 1/8" thickness
 127 mm W x 127 mm H x 3 mm thick
 Standard drilled for #12 screws

42.466 **6" x 6"**
 316 Rolled Stainless Steel Butt Hinge
 6" x 6" x 12 guage approx. 1/8" thickness
 153mm W x 152mm H x 3 mm thick
 Standard drilled for #12 screws

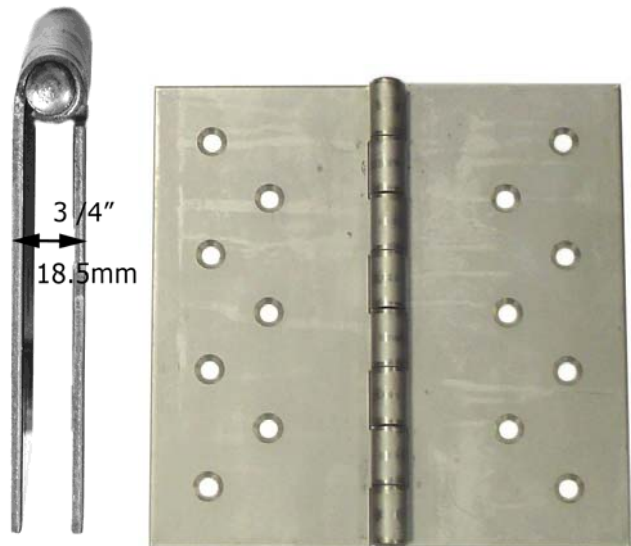
42.488 **8" x 8"**
 316 Rolled Stainless Steel Butt Hinge
 8 1/8" W x 8" H x 12 guage approx. 1/8"
 206mm W x 204mm H x 3 mm
 Standard Driled for #12 screws

ALSO AVAILABLE WITHOUT SCREW HOLES*

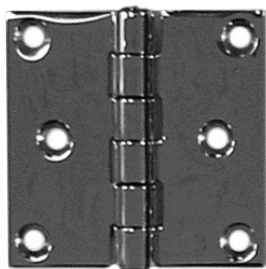
*Minimum Quantities May Apply



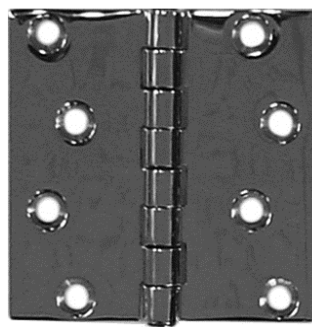
#42.466 rolled 304 stainless steel heavy duty hinge 6 x 6 x 12 guage (1/8") inch. Fixed Pin



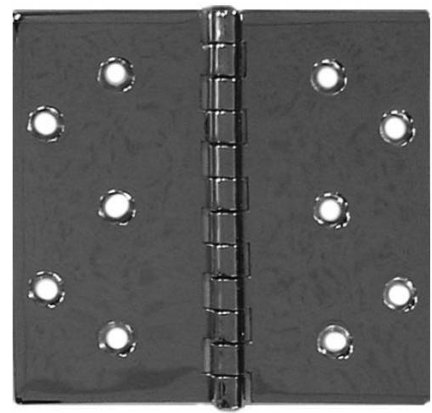
#42.488 rolled 304 stainless steel heavy duty hinge 8 x 8 inch x 12 guage (1/8") Fixed pin



#42.433 3" x 3" x 1/8"

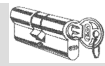


#42.444 4" x 4" x 1/8"



#42.466 6" x 6" x 1/8"

316 stainless steel hinges for exterior use. Mirror Polished



Izerwaren
Order
numbers

- Heavy duty
- Sea water resistant

STAINLESS STEEL Heavy Duty Hinges for Exterior and Weather Door Applications

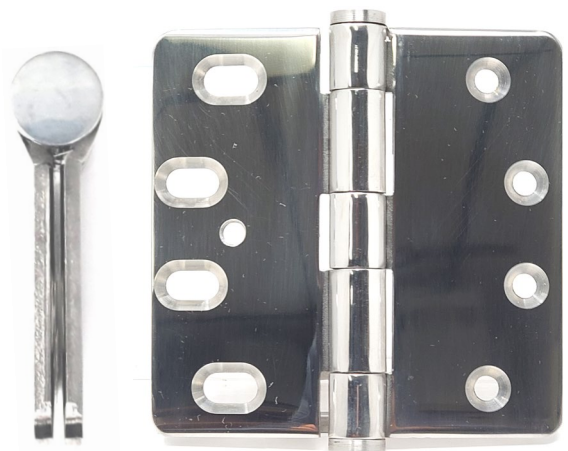
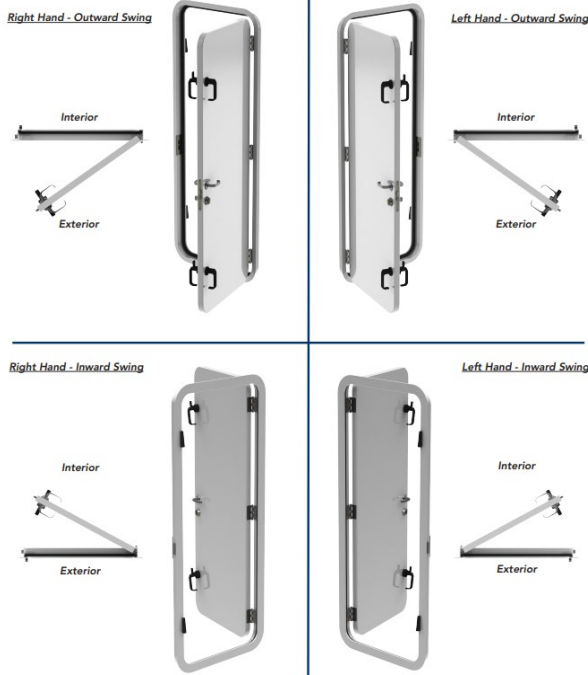
42.4613 **4"x 4"**
Left Hand (LHR)
304 stainless steel heavy duty hinge
4 x 4 x (1/8") inch. Removable Pin.
Spacing: 5/16" when folded
Barrel: 9/16" diameter

42.4614 **4"x 4"**
Right Hand (RHR)
304 stainless steel heavy duty hinge
4 x 4 x (1/8") inch. Removable Pin.
Spacing: 5/16" when folded
Barrel: 9/16" diameter

42.4611 **100 x 100 mm** Left Hand (LHR)
304 stainless steel heavy duty hinge
100 x 100 x 3.2 mm. Removable Pin.
Distance blades: 8 mm when folded
Barrel: 14 mm diameter

42.4612 **100 x 100 mm** Right Hand (RHR)
304 stainless steel heavy duty hinge
100 x 100 x 3.2 mm. Removable Pin.
Distance blades: 8 mm when folded
Barrel: 14 mm diameter

HANDING GUIDE - HINGED DOORS



#42.4614; Right Hand (RHR)
304 Polished Stainless Steel Heavy Duty Hinge
4 x 4 x 1/8 inch. Removable Pin.
Spacing: 5/16" When Folded
Barrel 9/16" diameter



#42.4613; Left Hand (LHR)
304 Polished Stainless Steel Heavy Duty Hinge
4 x 4 x 1/8 inch. Removable Pin.
Spacing: 5/16" When Folded
Barrel 9/16" diameter



10-24 by 1/2 inch square head machine screw



#424611 Metric LHR #42.4612 Metric RHR
Size: 100 x 100 x 3.2mm. Distance when folded 8 mm
Barrel: 14 mm diameter
304 Polished Stainless Steel Heavy Duty Hinge



Izerwaren
Order
numbers

- 316 Stainless steel hatch fasteners, flush type with separate key
- sea water resistant - leak proof
- finish: rolled 316 stainless steel

Installation: Drill hole: 22.5 mm Ø / 7/8"
Back set to center hole: 30 mm - 1 3/16"

Ordering Parts Separate:

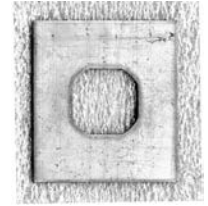
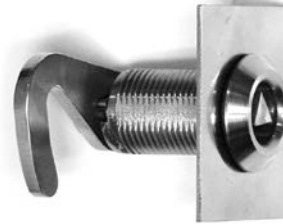
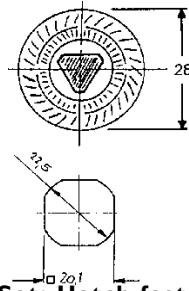
- 43.183 **Key**, stainless steel, triangular 8 mm
- 43.180 **Key** zamac, triangular, 8 mm
- 43.118 **Housing: 18 mm + mounting plate**
- 43.130 **Housing: 36 mm + mounting plate**
- 43.150 **Housing: 50 mm + mounting plate**
- 43.280 **Housing: 80 mm + mounting plate**
- 43.112 **Cam no. 1** inward, 12 mm
- 43.100 **Cam no. 2** neutral
- 43.104 **Cam no. 3** outward, 4 mm
- 43.110 **Cam no. 4** outward, 10 mm
- 43.227 **Hook cam (flat)** stainless steel
distance hook to bolt: 25 mm
- 43.295 **Mounting plate** 50 x45 x 1.2 mm
stainless steel

Hatch fastener sets complete:

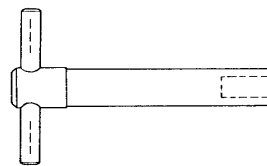
Set: 1x housing, 1x mounting plate, 1x cam
Keys to be ordered separately

To order sets with clearance:

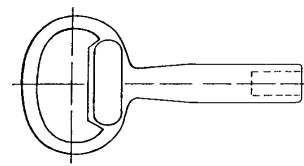
- 43.206 **6 mm - 1/4"** (18 mm body)
- 43.218 **18 mm - 3/4"** (18 mm body)
- 43.222 **22 mm 7/8"** (18 mm body)
- 43.228 **28 mm 1 1/8"** (18 mm body)
- 43.224 **24 mm - 1"** (36 mm body)
- 43.236 **36 mm 1 3/8"** (36 mm body)
- 43.240 **40 mm 1 13/16"** (36 mm body)
- 43.246 **46 mm 1 3/4"** (36 mm body)
- 43.238 **38 mm 1 1/2"** (50 mm body)
- 43.250 **50 mm 2"** (50 mm body)
- 43.254 **54 mm 2 1/8"** (50 mm body)
- 43.260 **60 mm 2 3/8"** (50 mm body)
- 43.268 **2 11/16" - 68 mm** (3 1/8" size body)
- 43.281 **3 1/8" - 80 mm** (3 1/8" size body)
- 43.284 **3 1/4" - 84 mm** (3 1/8" size body)
- 43.290 **3 1/2" - 90 mm** (3 1/8" size body)



Set: Hatch fastener with mounting plate and cam #43.295 Mounting plate



#43.183 Key stainless steel

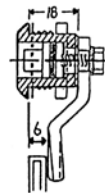


#43.180 Key zamac

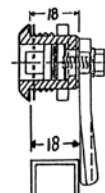


#43.227 Hook cam

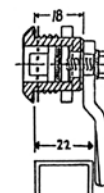
Stainless steel hatch fasteners are now shipped as set with square mounting plate



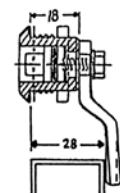
#43.206



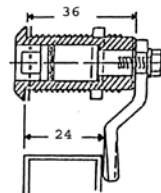
#43.218



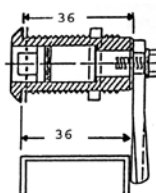
#43.222



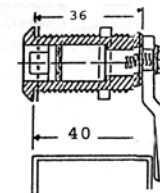
#43.228



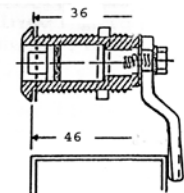
#43.224



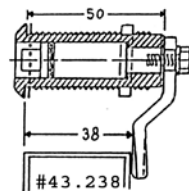
#43.236



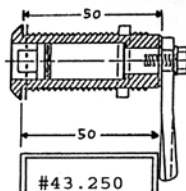
#43.240



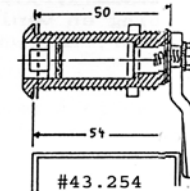
#43.246



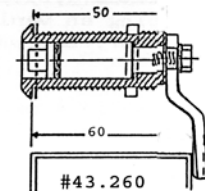
#43.238



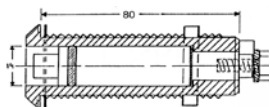
#43.250



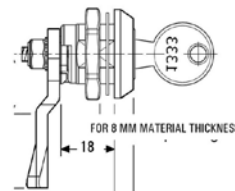
#43.254



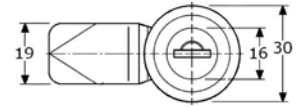
#43.260



#43.280; 80 mm (3 1/8")



#43.687K Key operated; Order cam separate.



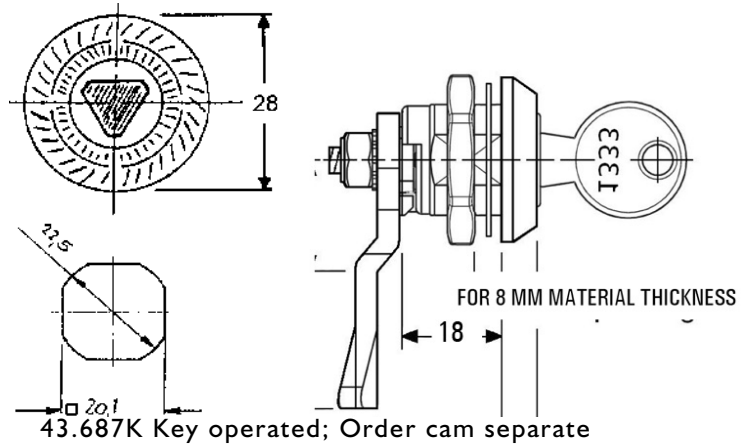
#43.687K Key operated

- 43.687K **Hatch fastener, key operated**
(18 mm body)
See also page no 4-3-A-B



IZERWAREN
Order
number

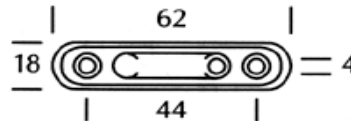
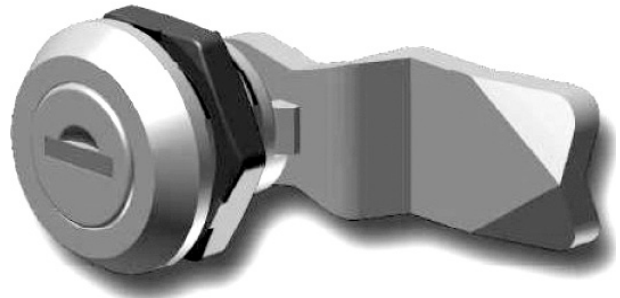
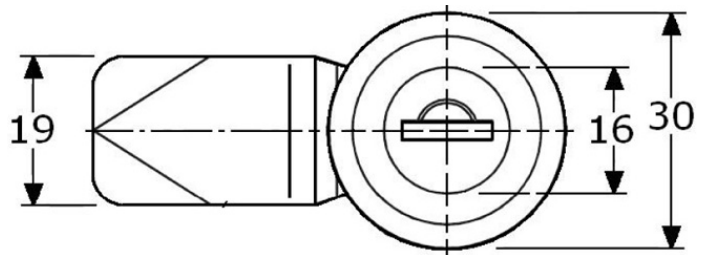
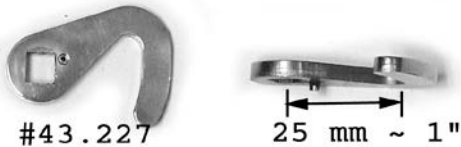
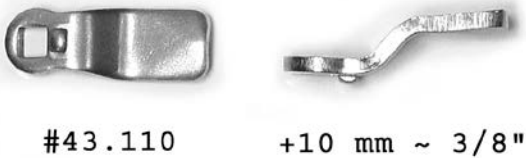
43.687K **Hatch cam with key** 316 stainless steel
finish: satin polished
outside diameter body: 28 mm
cut out: 22.5 mm
cam: long 1 3/4"
cam depth: adjustable 3/4"
depending on type of cam. (See below)



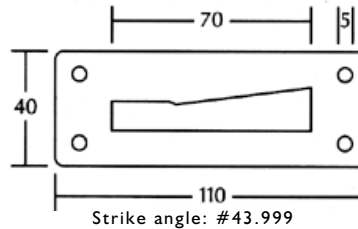
43.999 **Strike plate #43.999**
110 x 40 mm

43.998 **Strike plate flush** 43.998
64 x 18 mm
316 Stainless steel

Cams:



Strike plate flush #43.998



Strike angle: #43.999

For other cam locks see website / catalog / deck hardware / 316 stainless steel hatch fasteners / Pages 4-3-0-0 a. f.



Izerwaren
Order
numbers

- 316 Stainless steel hatch fasteners, can be used with stainless steel levers
- Hatch fasteners are:
- sea water resistant
- leak proof
- finish: body and cam: mill finish
Levers: mirror polished



For ordering hatch fastener bodies and cams:
See page 4-3 and 4-3-0



Shown: 36 mm body with 8x8 mm spindle; ... with stainless steel knob #12.050; 50 mm Ø



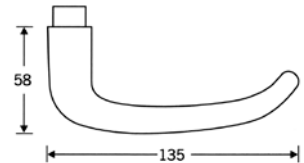
Shown: 36 mm body with lever #12.53F; ... lever 143 x 25 mm

- 12.050 Knob lever; 50 mm diameter
- 12.53F Lever Semi Flush; 143 mm long
Extends: 25 mm from surface
- 14.410 Lever Sable; 105 mm long
Extends: 35 mm from surface
- 12.527 Lever Standard; 130 mm long
- 12.045 Lever U shape; 140 mm long
- 12.5SF Lever Semi Flush Short ; 95 mm long
Extends: 25 mm from surface



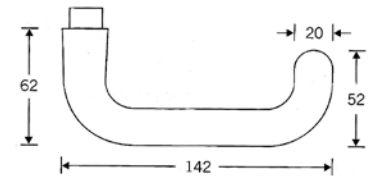
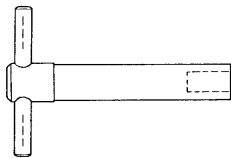
Shown: 36 mm body with lever #14.410; ... Lever stainless steel. Size 105 x 30 mm

- 43.261 Hatch fastener with attached small bar.

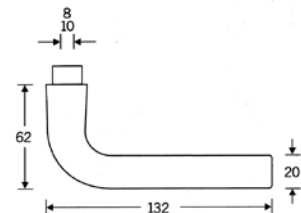


Lever # 12.527; 135 mm long; stands off 58 mm

- 43.183 Separate key, stainless steel
See: page 4-3



Lever #12.045; 142 mm long; stands off 54 mm; 20 mm diameter



Lever #12.547; 132 mm long; stands off 64 mm; 20 mm diameter



Lever #12.5SF; 95 mm long; stands off 25 mm with standard plate; 20 mm wide



Izerwaren
Order
number

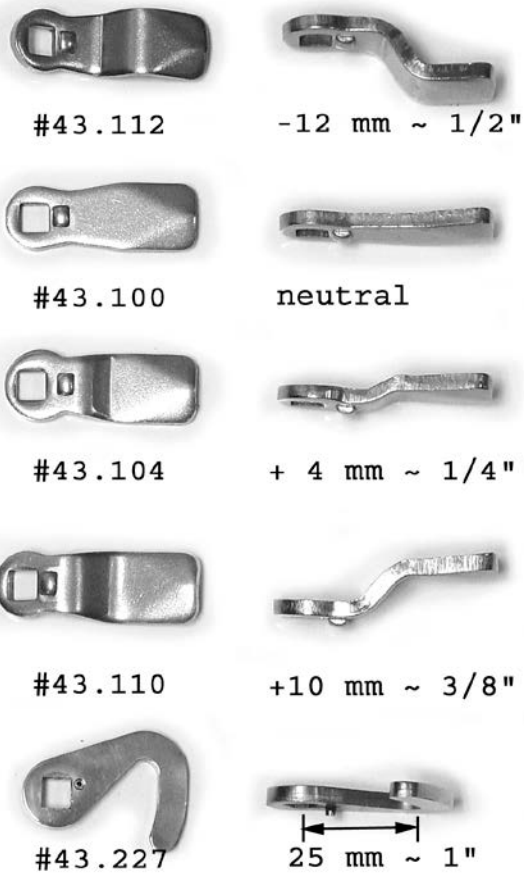
- Stainless Steel Flush Hatch Pulls, with cam polished 316 stainless steel,
- Stainless Steel Hold Down, with threaded bolt, polished 316 stainless steel.

43.5111 **Hatch Pulls with cam #43.5111**
 316 stainless steel
 finish: mirror polished
 outside diameter body: 2"
 cut out: 1 3/4"
 cam: long 1 3/4"
 cam depth: from 1 1/8" to 1 3/4" depending on type of cam. (See below)

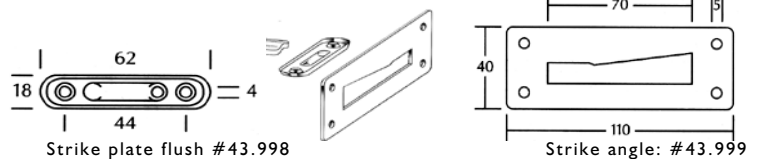
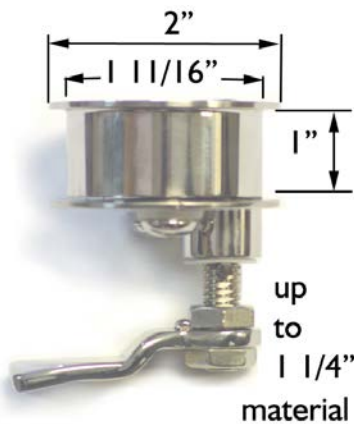
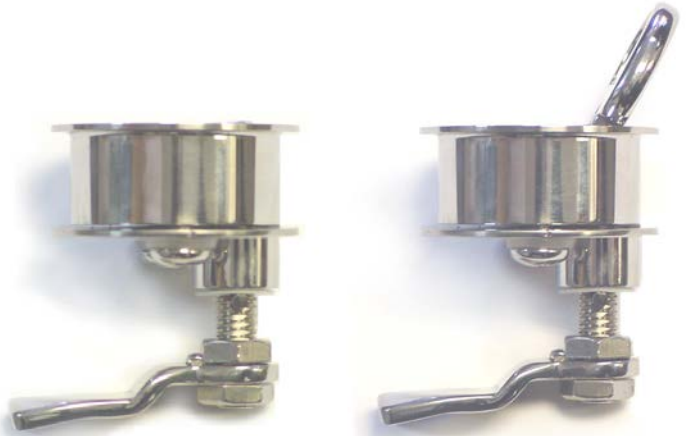
43.999 **Strike plate #43.999**
 110 x 40 mm

43.998 **Strike plate flush #43.998**
 64 x 18 mm
 316 Stainless steel

Cams:



Part number #43.5111
 Diameter body 1 11/16" Depth body 1" Cut hole 1 3/4"

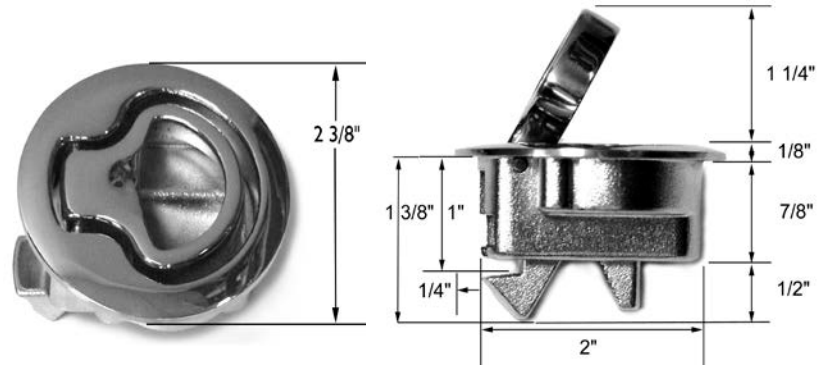




Izerwaren
Order
numbers

- 43.F01 **Slam latch for hatches**
Set: latch, mounting ring with screws; strike.
Diameter: 2 3/8"
Built in diameter: 2"
Material thickness: from 1/4" up to 13/16"
Spring loaded slam action on latch bolt
Polished Stainless steel 316;
- 43.F02 **Slam latch for hatch, locking with key**

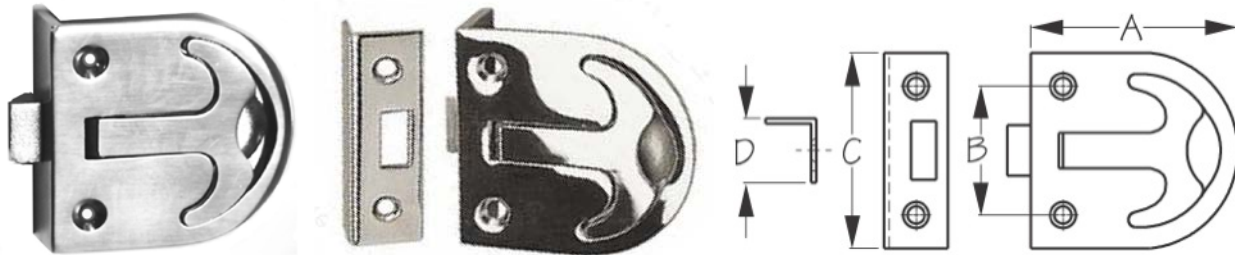
SLAM LATCH WITH LIFT RING



Slam latch #43.F01

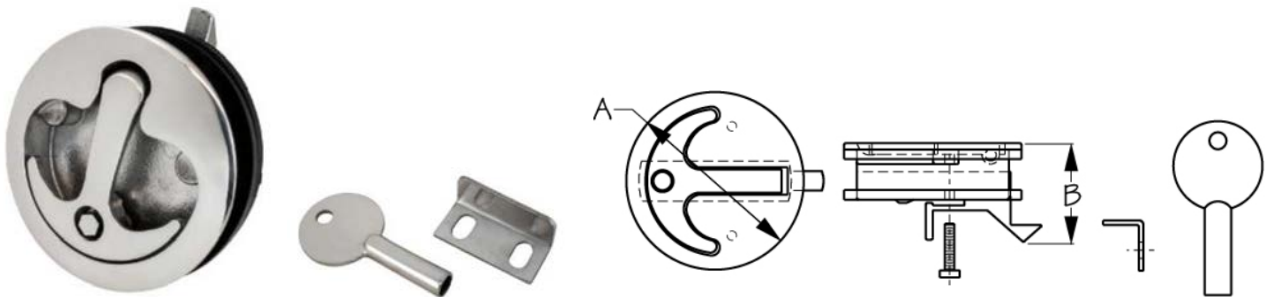
Installation body: Drill hole: 2 1/16" Ø

SLAM LATCH WITH PULL LEVER ANCHOR STYLE

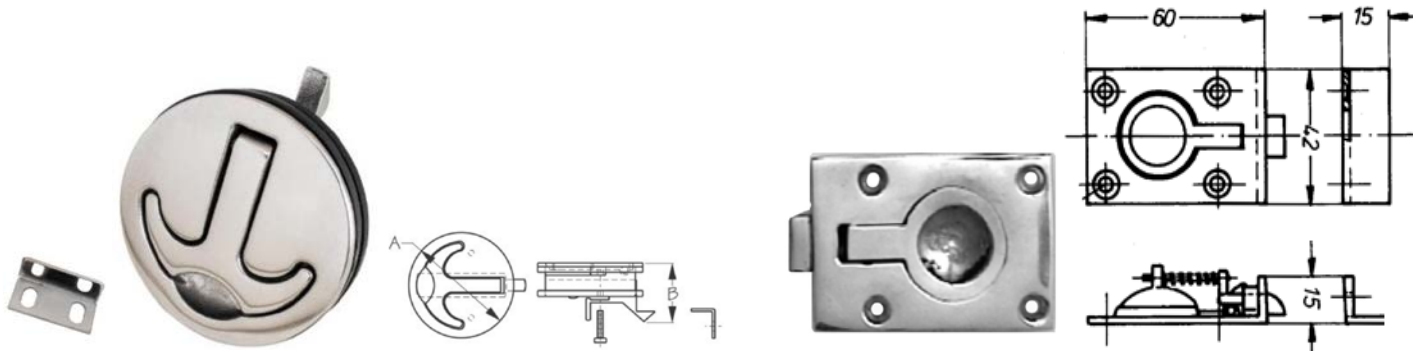


- #43.831S Flush Slam latch, Pull type. Anchor style lift ring; strike plate included. **Pull Out** to release.
Dimensions: 2 7/16" (A) x 1 1/2" (B) x 2 1/4" (C) x 3/4" (D) Door thickness: 3/4". 316 Stainless Steel Satin Finish

SLAM LATCH WITH LIFT RING ANCHOR STYLE



- #43.972 Flush Slam latch with lift ring and angle strike plate, **locking**. **Pull Out** to release.
Dimensions: 2 3/8 diameter (A) x 1 11/16 deep (B) Hole size: 2 inch; Door thickness: 1/4 inch to 3/4 inch
316 Stainless Steel Mirror Polished Finish



- #43.974 Slam latch 2 7/16 diameter (A); drill hole 2 3/16 inch, distance (B): 1 3/8" material up to 5/8" thick; 316 polished stainless steel

- #46.108 Flush Pull Lift with latch
Dimension: 60 x 42 x 15 mm; **Pull Out** to release
Angle strike 15 x 15 x 42 mm; Door thickness: 5/8" or 15 mm
Polished Chrome Plated Brass

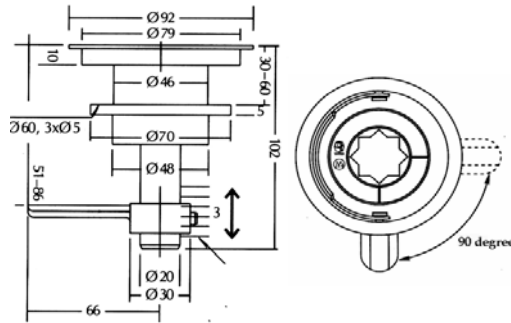


Izerwaren
Order
numbers

- Stainless steel hatch fasteners
- 316 stainless steel
- Sea water resistant
- Heavy duty
- Finish: Polished stainless steel
- Classed by German Lloyd



43.954 **Hatch fastener with separate lift ring**
Flush mount with straight cam
316 stainless steel
for use with octagon shaped keys

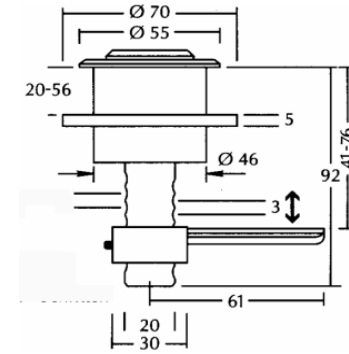


#43.954 Hatch fastener with lift ring



#43.954 Hatch fastener with lift ring and straight cam

43.976 **Hatch fastener with separate lift ring**
with roller bearing cam



43.964 Hatch fastener with straight cam



#43.1534 Hatch fastener with lift ring and roller bearing cam

43.1535 **Hatch fastener with integrated lift ring**
With straight cam; 316 stainless steel

43.1534 **Hatch fastener with integrated lift ring**
With roller cam; 316 stainless steel

43.964 **Hatch fastener without lift ring**
with straight cam; 316 stainless steel

43.975 **Hatch fastener without lift ring**
with roller cam; 316 stainless steel

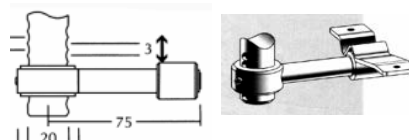
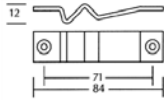
43.965 **Handle for back mounting**
For emergency opening



43.999 **Strike plate** angle 110 x 40 mm

43.998 **Strike plate** flush 62 x 18 mm

43.902 **Strike plate** 84 x 20 x 12 mm
for roller bearing cam



roller bearing cam separate; strike 43.902

NEW!
#43.1534 Hatch fastener with lift ring and roller bearing cam
#43.1535 Hatch fastener with lift ring and straight cam



#43.975 Hatch fastener no lift ring with roller bearing cam

43.974 **Lift handle, removable**



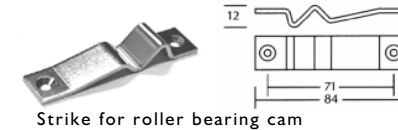
#43.974 Lift handle , removable

Cylinder lock for hatch lock

43.926



Prevents unauthorized use



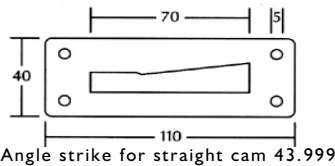
Strike for roller bearing cam



#43.965 Handle for back mounting

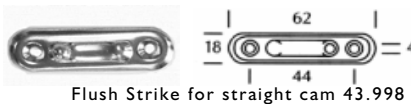
43.955 **Lift Ring separate**

43.957 **Straight cam separate**



Angle strike for straight cam 43.999

43.958 **Roller bearing cam only**



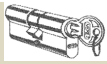
Flush Strike for straight cam 43.998



#43.926 Cylinder lock for hatch fastener



#43.954, #43.974, #43.965, #43.998
Full hatch fastener setup with back lever

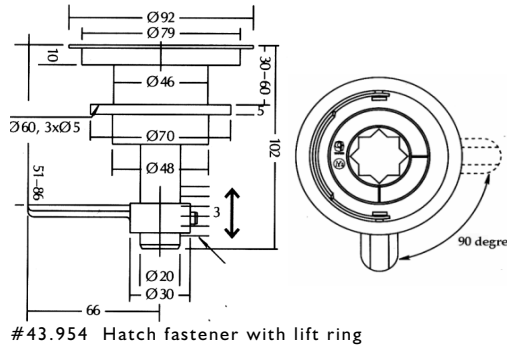


Izerwaren
Order
numbers

- Stainless steel hatch fasteners
- 316 stainless steel
- Sea water resistant
- Heavy duty
- Finish: Polished stainless steel
- Classed by German Lloyd



43.954 **Hatch fastener with separate lift ring**
Flush mount with straight cam
316 stainless steel
for use with octagon shaped keys



43.976 **Hatch fastener with separate lift ring**
with roller bearing cam

43.1535 **Hatch fastener with integrated lift ring**
NEW! With straight cam; 316 stainless steel

43.1534 **Hatch fastener with integrated lift ring**
NEW! With roller cam; 316 stainless steel

43.964 **Hatch fastener without lift ring**
with straight cam; 316 stainless steel

43.975 **Hatch fastener without lift ring**
with roller cam; 316 stainless steel

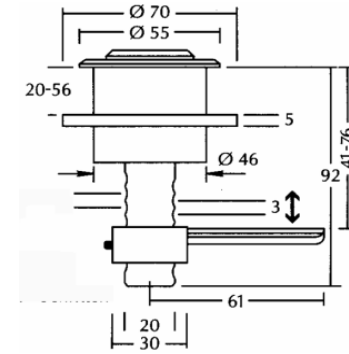
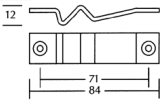
43.965 **Handle for back mounting**
For emergency opening



43.999 **Strike plate** angle 110 x 40 mm

43.998 **Strike plate** flush 62 x 18 mm

43.902 **Strike plate** 84 x 20 x 12 mm
for roller bearing cam

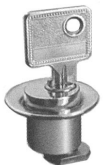


43.974 **Lift handle, removable**



Cylinder lock for hatch lock

43.926



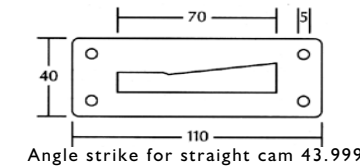
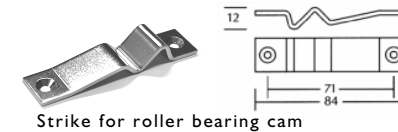
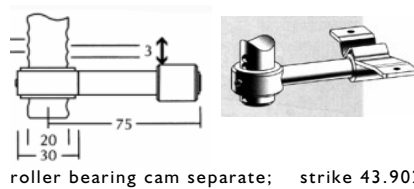
Prevents unauthorized use

43.955 **Lift Ring separate**

43.957 **Straight cam separate**



43.958 **Roller bearing cam only**

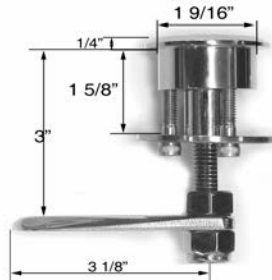




KEY OPERATED HATCH FASTENER WITH CAM KEY SOLD SEPARATE

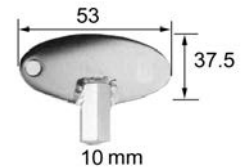
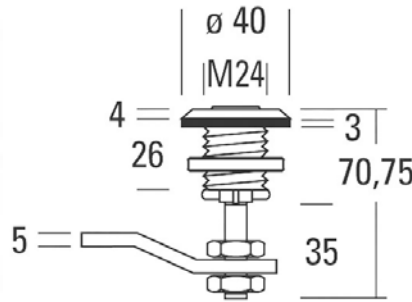


#43.964 Hatch fastener with cam With roller bearing cam: #43.975 Lifting / turning lever #43.974
48 mm diameter; up to 25 mm material thickness, with back plastic counter plate see also page 4-3-1.

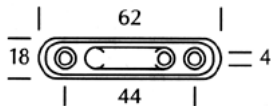


#43.F991 40 mm / 1 9/16" diameter; up to 1 5/8" material thickness

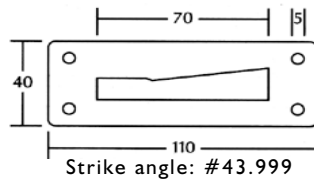
Key#43.F991K



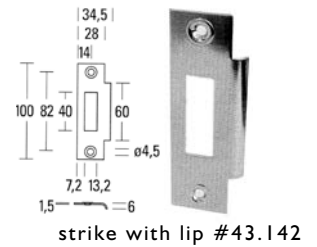
43.1029; 24 mm diameter, up to 3/4" material thickness cam reach 2 3/4" Key #43.1028



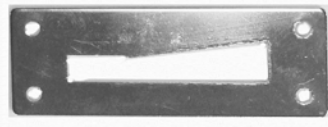
Strike plate flush #43.998,



Strike angle: #43.999



strike with lip #43.142





HATCH FASTENER WITH LIFTING LEVER



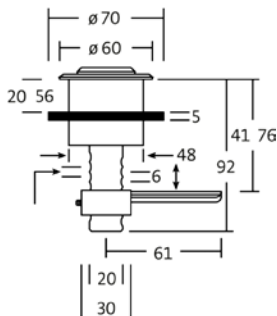
#43.964 Hatch fastener with straight cam
#43.975 with roller bearing cam



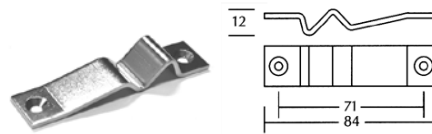
#43.1534 **NEW** Hatch fastener with lift ring and roller bearing cam
#43.1535 with straight cam



#43.974 Turning lever clip on type



Outer diameter: 60 mm. Drill hole: 48 mm diameter; for up to 25 mm material thickness, with back plastic counter plate see also page 4-3-1.



#43.902 Roller bearing cam

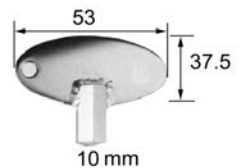
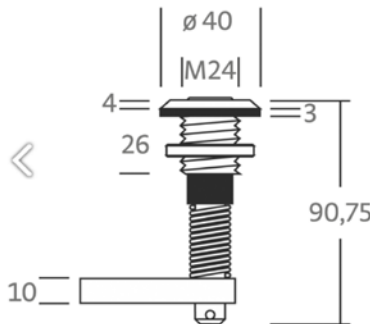


#43.926 Key lock

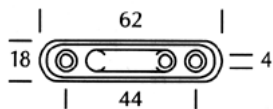
TORQING HATCH FASTENER, SPRING LOADED



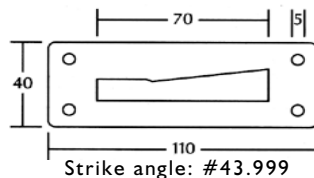
43.1026; 40 mm outside diameter, 24 mm inside diameter. For up to 3/4" material thickness. Cam reach: 2 3/4" By turning key the cam tightens against the strike plate



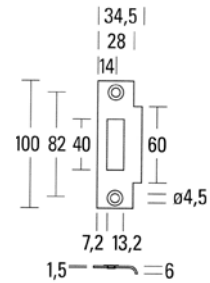
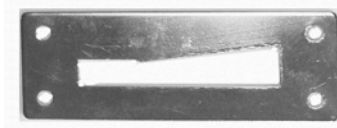
Key #43.1028



Strike plate flush #43.998,



Strike angle: #43.999

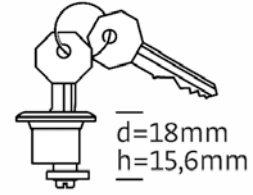


strike with lip #43.142

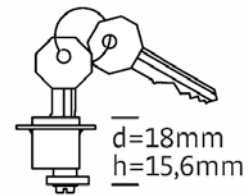




Showing #43.926 Winch lock with hatch fastener #43.975 with roller bearing cam + strike and lift handle #43.974

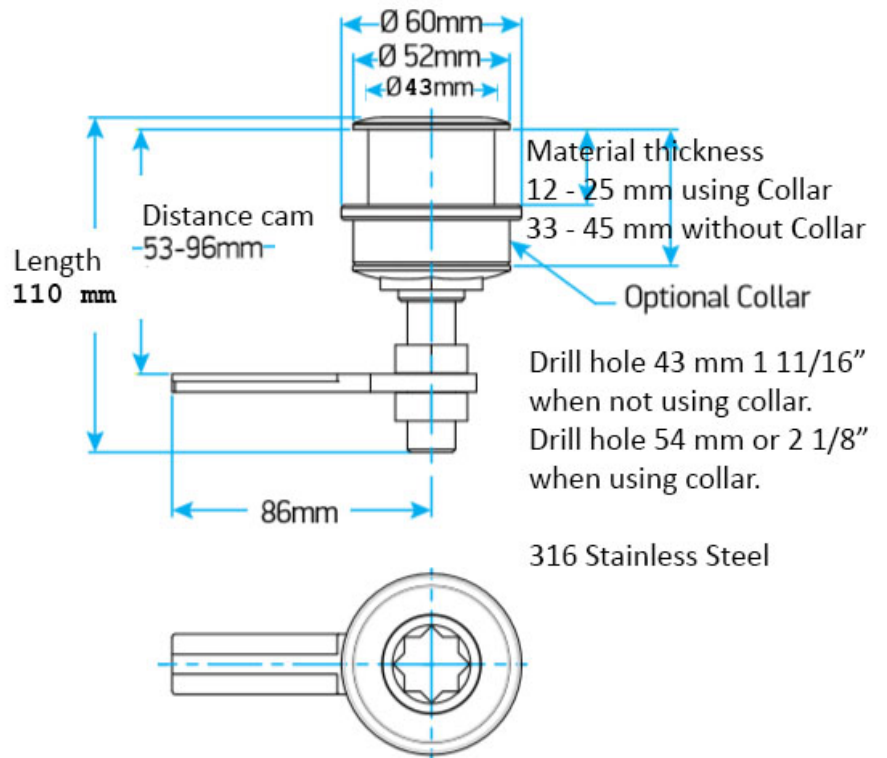
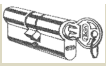


#43.1354



#43.926





Lewmar hatch fastener #43.894 Minimum Material thickness: 1/2 inch. Max: 1 3/4 inch
 Cam: 3 3/8 inch long. Drill hole 1 3/4 inch or 2 1/8 inch when using collar.



Top view hatch mounting

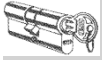


Bottom view.



Showing all parts included with Hatch Fastener #43.894.

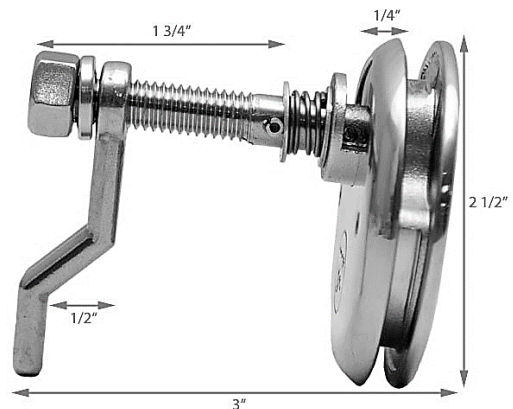
Separate order: Winch handle #43.974



#43.2525 Hatch fastener with straight cam and mounting plate

Drill Hole: 2 1/16 inch diameter

- Finish: Polished Stainless Steel
- Overall size: 2 7/16 x 2 7/16 inch;
- Reach from top to bottom cam: 1 1/2 to 2 inch.

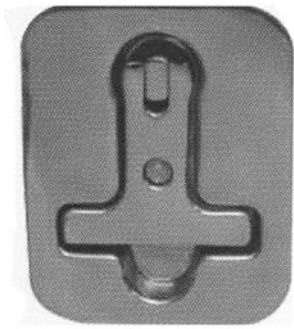


#43.1404 Hatch fastener with offset cam **(Limited available)**

Drill Hole: 2 1/8 inch diameter

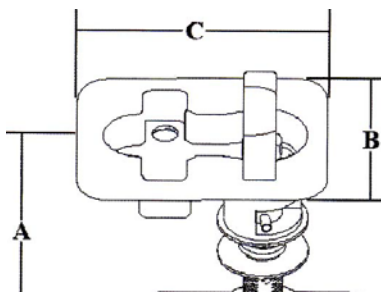
- Finish: Polished Stainless Steel
- Overall size: 2 1/2 inch diameter;
- Reach from top to bottom cam: from 1 to 3 inch.

COMPRESSING TYPE HATCH FASTENERS WITH CAM

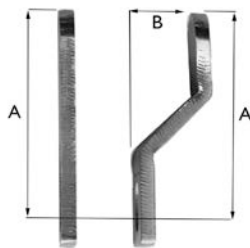


#115.43.52009; Compression Cam Latch with "T" model lift handle and locking key; Straight cam #115.85; Angle cam #115.87 #115.43.52005; non locking

DIMENSION TOP PLATE: B x C = 76 X 96 mm / 3" x 3 3/4"

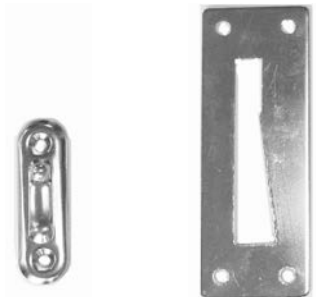


#115.43.52005 Hatch cam lock with key, compression type 90 degree turn
Dimension A = 90 to 79 mm (Distance to Cam)
Dimension B = 76 mm
Dimension C = 96 mm



Cams:
#115.85 straight
#115.87 bend;
dimension A = 2 3/8 inch
dimension B = 3/4 inch

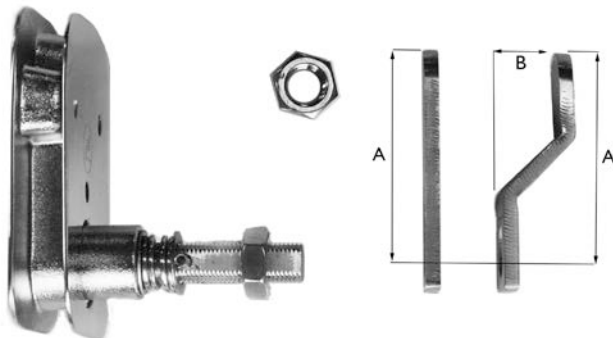
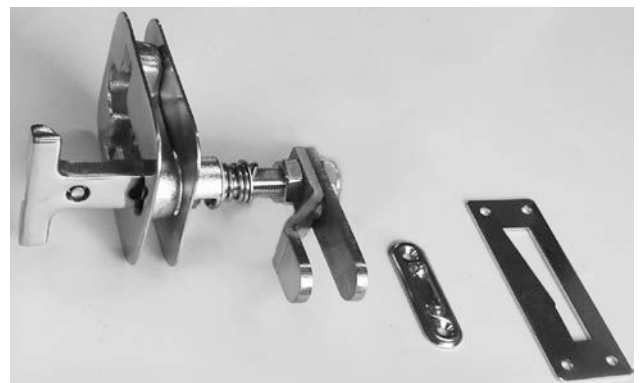
please order cams separate



Strike #43.998
18 x 6 2 mm

Strike #43.999
40 x 110 mm

please order strike plates separate



#115.43.52005; Latch non locking; Straight Cam #115.85; Angle cam #115.87

#115.43.52005; Latch non locking;



#43.1954 hatch cam lock with lift ring
Diameter 3 1/2"
Cut hole 3" +
Distance Cam from body: 3 3/32 inch to 1 inch
Minimum hatch thickness: 5/16 inch



#43.1953 Hatch cam lock with lift ring
Diameter 2 25/64"
Cut out 2" +
3 1/8 inch to 3/4 inch
3/16 inch

Distance Cam from body: 3 3/32 inch to 1 inch
Minimum hatch thickness: 5/16 inch

HATCH FASTENER WITH CAM - EASY MOUNTING



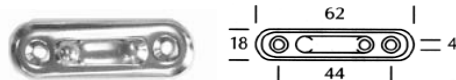
Hatch fastener #43.1954 (set) Includes: Cam and strike.
Dimension A = 3 1/2" diameter
Dimension B = 3 3/4"
Cut hole 3" diameter
Standard spring loaded strike included.



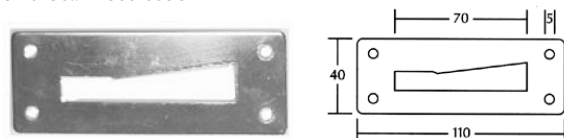
Hatch fastener #43.1953 (set) Includes: Cam and strike.
Dimension A = 2 25/64"
Dimension B = 3 3/4"
Cut hole 2" diameter
Standard spring loaded strike included.

OPTIONAL STRIKE PLATES:

Strike plate #43.998
110 x 40 mm



Strike plate flush #43.999
64 x 18 mm
316 Stainless steel





Izerwaren
Order
numbers

- 316 Stainless steel slam catch
- sea water resistant
- finish: polished stainless steel 316;

HATCHLIFT

43.F95

Hatch fastener / slam catch

2.6" x 1.9" depth: 0.5"
 thickness top: 1/8"
 Material thickness: 1/8"
 Body electro polished, face mirror polished



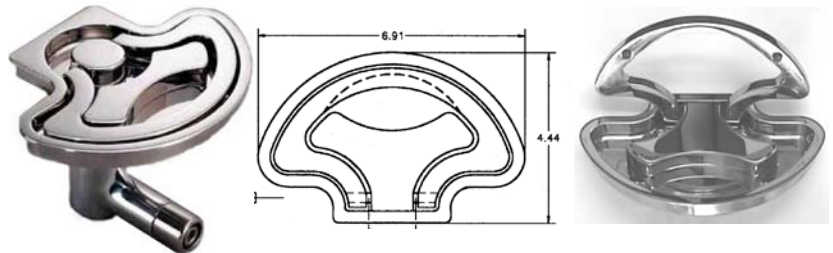
43.F99

#43.F95 Polished 316 stainless steel slam catch
 2.6" x 1.9" depth: .5"



Izerwaren
Order
number

43.558Z **Hatch Pull locking with cam**
316 Stainless steel
finish: mirror polished
Dimension case: 7" x 4 1/2"
Built in depth: 5/8"



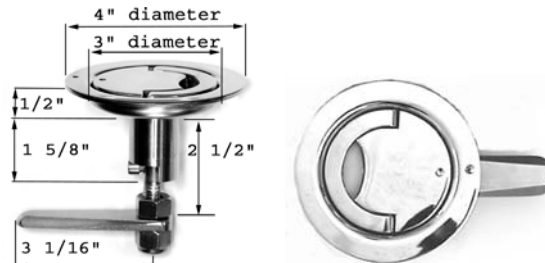
43.558Z cast 316 Stainless steel,
with Roller bearing cam

#43.558 pull only
Hatch lift only (no cam)

Details page no. 4-3-4-0

43.558 **Hatch Pull**
316 Stainless steel
finish: mirror polished
Dimension case: 7" x 4 1/2"
Built in depth: 5/8"

43.555 **Hatch Pulls with cam**
316 stainless steel
finish: mirror polished
outside diameter: 4"
cut out: 3"
cam: long 3 1/16"
cam depth: from 2 1/4" to 2 3/4"



#43.555 Hatch pull, heavy duty

43.557 **Hatch Pulls with cam**
316 stainless steel
finish: mirror polished
outside diameter: 2 15/16"
cut out: 2 1/8"
cam: long 1 3/4"
cam depth: from 1 3/16" to 2 3/16"



#43.557 Locking hatch pull, heavy duty. For Cam sizes: page 4-3-0

43.5205 **Hatch Pulls with cam Compression Style**
316 stainless steel diameter: 2 3/8"
finish: mirror polished
details page 4-3-3-1



#43.5205; Locking hatch cam with lift ring - compression style 2 3/8" diameter
#43.5255; Locking hatch cam with lift ring - compression style 3" diameter
Order with cam to fit. Details Please see page 4-3-3 1 and 4-3-3-2

43.5255 **Hatch Pulls with cam Compression Style**
316 stainless steel diameter: 3"
finish: mirror polished
details page 4-3-3-2

43.999 **Strike plate**
110 x 40 mm

43.998 **Strike plate flush**
64 x 18 mm
316 Stainless steel

43.902 **Strike plate roller bearing cam**
64 x 18 mm
316 Stainless steel



#43.998 Strike plate flush
110 x 40 mm

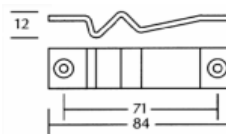


#43.999 Strike for angle mounting

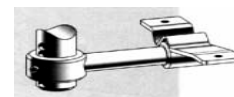
43.556 **Tie down**
316 stainless steel
finish: mirror polished
outside diameter: 4"
cut out: 3"
bolt: 1/2" x 3"



More tie downs on page 4-3-5-1 and 4-3-5-2



#43.902 Strike for roller bearing cam 43.902



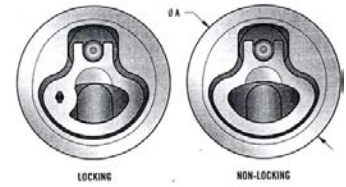


Izerwaren
Order
number

- Stainless Steel Flush Hatch Cam Latch, with cam polished 316 stainless steel, Outside diameter 2 7/16" (61 mm)



- Available in 50 mm (2") and 63.5 mm (2.5") sizes
- Stainless steel



43.5205 **Hatch Pulls with cam compression style**

316 stainless steel
 Outside diameter 2 7/16" (61 mm)
 Diameter housing: 2" (51 mm)
 Drill hole 2" diameter for installation
 Range of 44 mm or 1 3/4" using 3 cams:

- 43.5215 Cam short strait
- 43.5125 Cam short offset 12 mm 1/2"
- 43.5235 Cam short offset 25 mm 1"

- 43.5265 Cam long strait
- 43.5175 Cam long offset 12 mm 1/2"
- 43.5285 Cam long offset 25 mm 1"

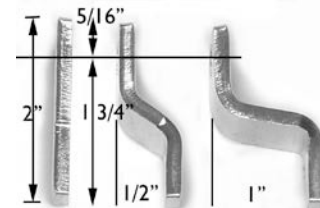


#43.5205 small model - all parts with straight cam showing 3 mm compression style hatch fastener with cam 316 stainless steel

43.999 **Strike plate**

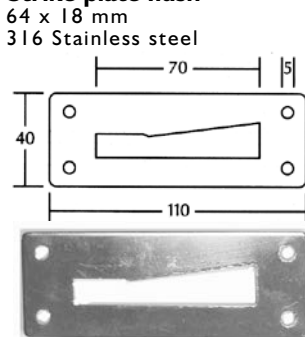


3 types of short cams for model 43.5205:

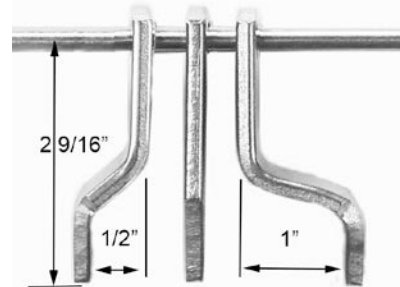


#43.5215 #43.5125 #43.5235

43.998 **Strike plate flush**



3 types of long cams for model 43.5205

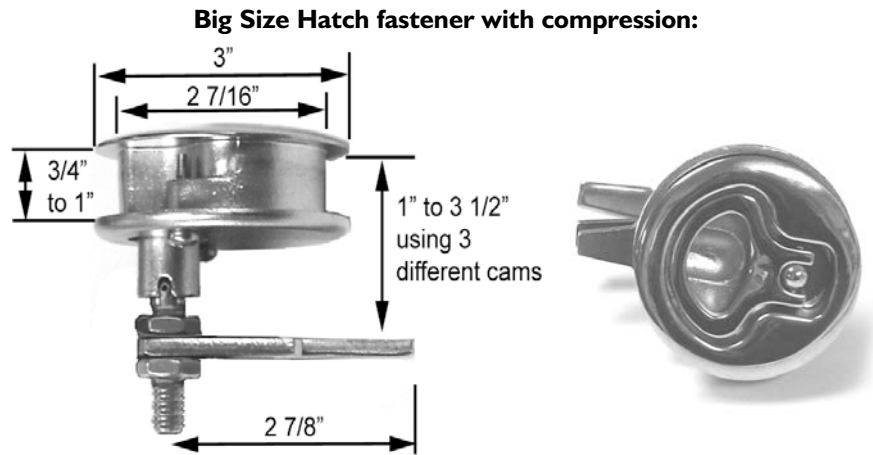


#43.5265 #43.5275 #43.5285



Izerwaren
Order
number

- Stainless Steel Flush Hatch Pulls, with cam polished 316 stainless steel,



#43.5255 Outside diameter 76 mm or 3" (depicted)
 Drill hole +2 7/16" diameter for installation
 Available with 2 7/8" long cams, straight, and offset
 Range of 54 mm or 2 1/8" between cam options
 Compression distance: 4/32"

43.5255 Big size Hatch Pulls with cam compression style

316 stainless steel
 Outside diameter 3" (76 mm)
 Diameter hole: 2 7/16" (62 mm)
 Range of 90 mm or 3 1/2 inch using 3 cams:

- 43.55215 Long Cam strait Long: 74 mm or 2 7/8 inch
- 43.55125 Long Cam offset 12 mm or 1/2 inch
- 43.55185 Long Cam offset 25 mm or 1 inch

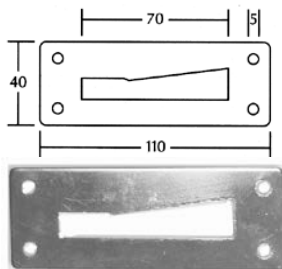
- 43.55245 Short Cam strait Long: 74 mm or 2 7/8 inch
- 43.55155 Short Cam offset 12 mm or 1/2 inch
- 43.55165 Short Cam offset 25 mm or 1 inch

43.999 Strike plate



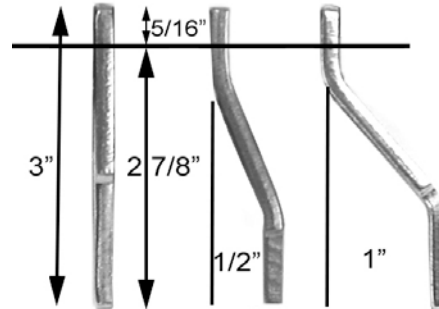
Strike plate flush

43.998 64 x 18 mm
 316 Stainless steel



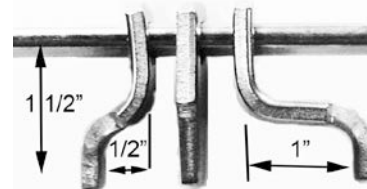
PLEASE CHOOSE

3 long cams for latch #43.5255:



- Long #43.55215 Straight
- #43.55125 1/2 inch offset
- #43.55185 1 inch offset

3 short cams for latch #43.5255:



- Short #43.55245 Straight
- #43.55155 1/2 inch offset
- #43.55165 1 inch offset



Izerwaren
Order
number

- Stainless Steel Flush Hatch Pulls, with cam polished 316 stainless steel,
- Stainless Steel Hold Down, with threaded bolt, polished 316 stainless steel.

43.554N **Hatch Pulls with cam #43.554N**

316 stainless steel
 Outside diameter 2"
 Diameter housing: 1 11/16"
 Depth housing: 1 1/4"
 Depth to cam: 1 3/8"
 Max depth to cam 2"

32.999 **Strike plate #43.999**

110 x 40 mm

43.998 **Strike plate flush #43.998**

64 x 18 mm
 316 Stainless steel



Cams available:



#43.112



-12 mm ~ 1/2"



#43.100



neutral



#43.104



+ 4 mm ~ 1/4"



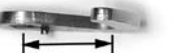
#43.110



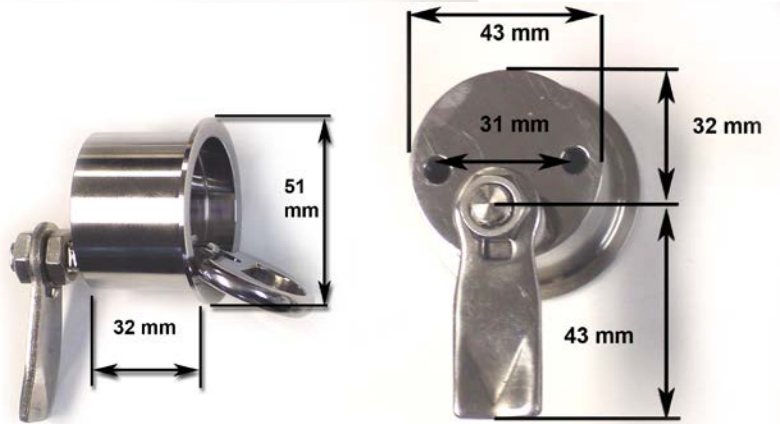
+10 mm ~ 3/8"



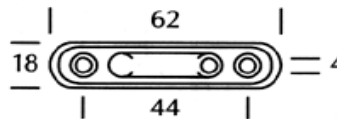
#43.227



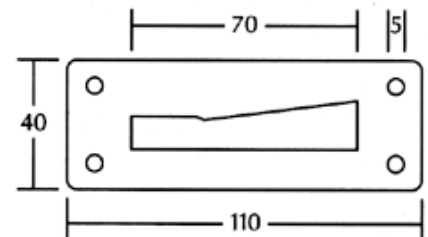
25 mm ~ 1"



New model 43.554N 316 stainless steel
 Outside diameter 2"
 Diameter housing: 1 11/16"
 Depth housing: 1 1/4"
 Depth to cam: 1 3/8"
 Max depth to cam 2"



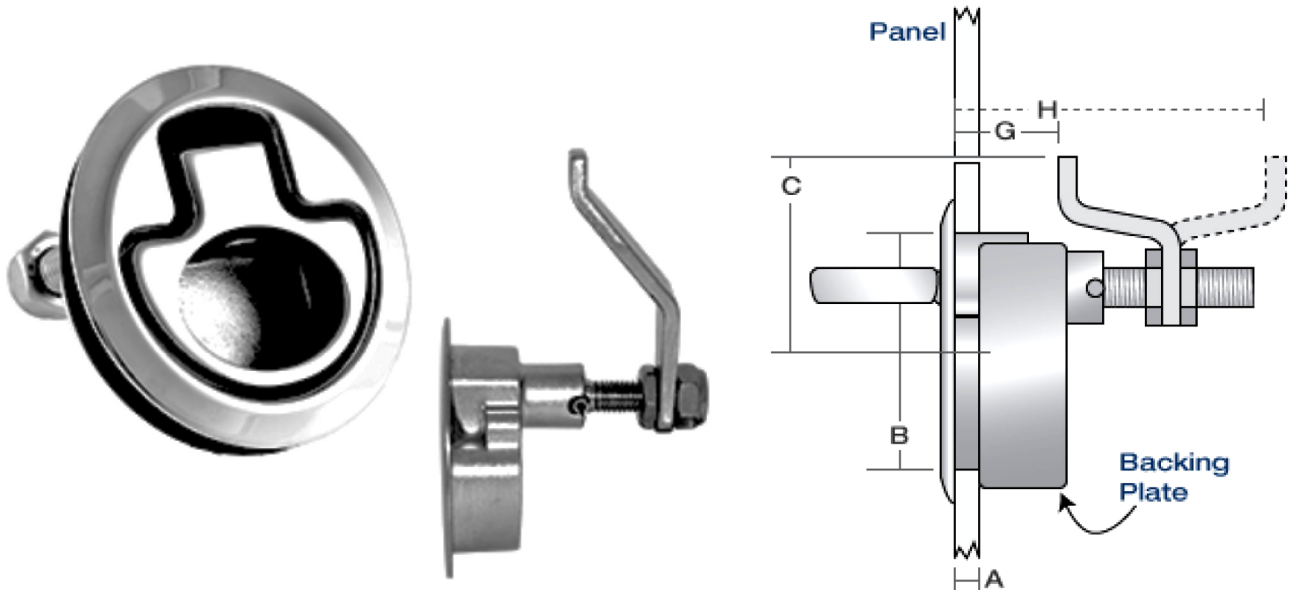
#43.998 Strike plate flush. 316 stainless steel



#43.999 Strike plate angle. 316 stainless steel:

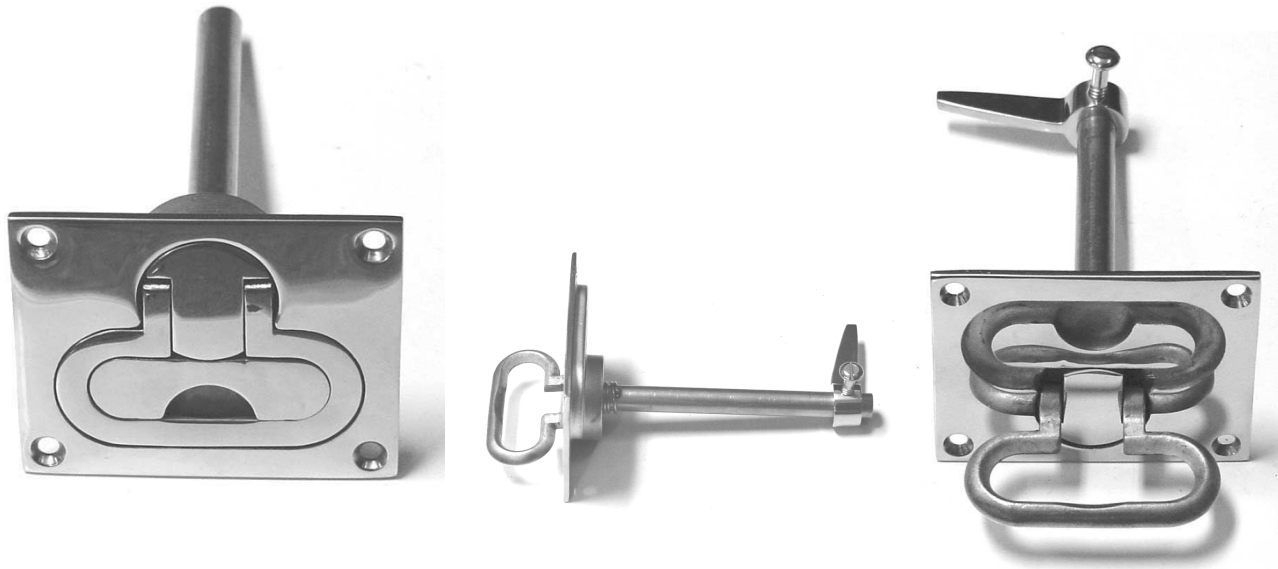


#43.4030 - COMPRESSION LATCH; CUTOUT HOLE OF 2 1/2 INCH.

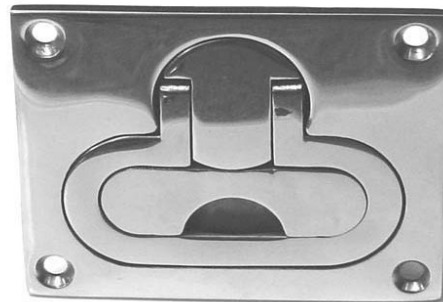


Assembly #	A Panel Thickness	B Cutout	C Cam Length	G Cam Grip Range	H Cam Grip Range, Reversed
#43.4030	0.07-0.44	2.5	2.19	0.91-1.26	2.84-3.31 inch

CAST 316 POLISHED STAINLESS STEEL;
 HEAVY DUTY QUALITY WITH BACKING PLATE.
 With either straight or angle cam. Cam included.
 Cam depth from top of hatch from 2.84 to 3.31 inch
 Cam shown on page 4-3-3-1 and page 4-3-3-2



Hatch Pull with locking cam #43.219;
316 Stainless, face plate: 3 3/4 x 3 inch;
length shaft: 5 1/8" diameter: 1/2"

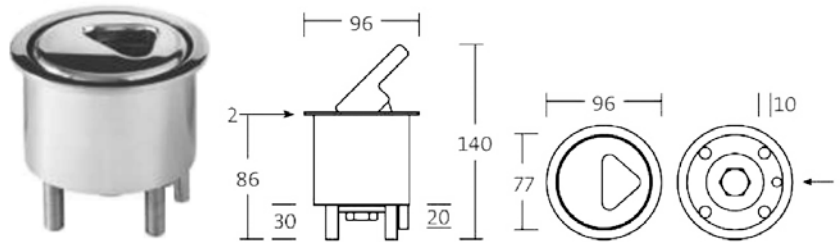


Hatch Pull only #43.217 3 3/4 x 3 inch;

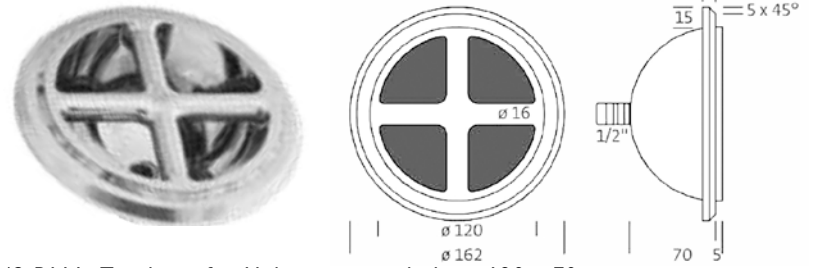


316 STAINLESS STEEL DECK BOLTS AND TIE DOWNS

- 43.PI10 **Tie Down for Equipment**
Tie down for helicopters;
box with drain 90 x 86 mm
316 stainless steel mirror polished
- 43.PI11 **Tie Down for Equipment**
Tie down for helicopters;
box with drain 120 x 70 mm;
316 stainless steel mirror polished
- 43.PI14 **Deck Plates for Eye Bolt M20**
Plate 218 x 100 mm ~ 8 5/8" x 4"
Deck plate for use with M16 machine screw
Mirror polished 316 stainless steel
- 43.PI15 **Deck Plates for Eye bolt M16**
Plate 140 x 74 mm ~ 5 1/2" x 3"
Deck plate for use with M12 machine screw
Mirror polished 316 stainless steel
- 32.PI16 **Deck Plates with thread M12**
Plate 100 x 56 mm ~ 3" x 2 3/16"
Deck plate for use with M10 machine screw
Mirror polished 316 stainless steel



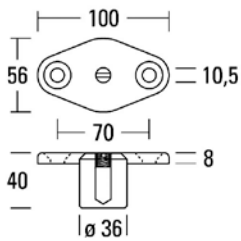
43.PI10 Tie down for helicopters; box with drain 90 x 86 mm;



43.PI11 Tie down for Helicopters with drain 120 x 70 mm



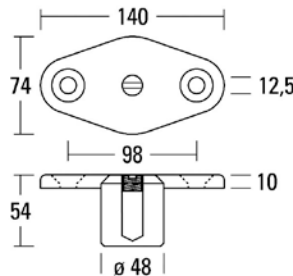
Deck Plates with thread M12



#43.PI14: 218 x 100 x 40 mm



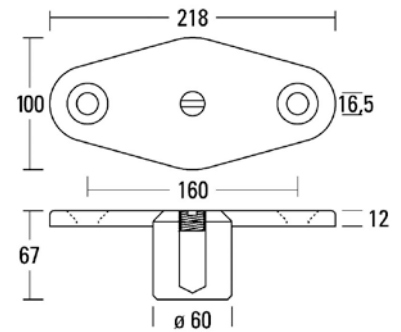
Deck Plates with thread M16



#43.PI15: 140 x 74 x 54 mm

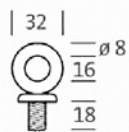


Deck Plates with thread M20

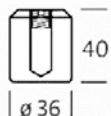


#43.PI16: 100 x 56 x 67 mm

Eye Bolt M12

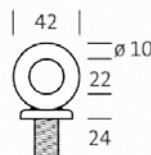


#43.PI41
Bushings M12

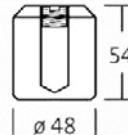


M12
#43.PI46

Eye Bolt M16

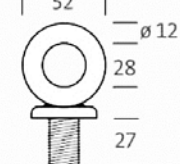


#43.PI42
Bushings M16

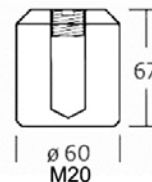


M16
#43.PI47

Eye Bolt M20



#43.PI43
Bushings M20



#43.PI48





Izerwaren
Order
numbers

- 316 Stainless steel hatch fastener
- Sea water resistant
- Heavy duty and compact
- Finish: polished stainless steel 316;



43.P318

43.P318 Tie down with plate 50 mm

43.P312 Tie down with plate 88 x 58 mm

43.P314 Tie down with plate 115 x 78 mm

43.P316 Tie down with plate 145 x 98 mm

43.P313 Tie down with plate 136 x 58 mm

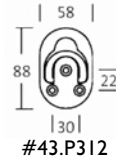
43.P315 Tie down with plate 178 x 78 mm

43.P317 Tie down with plate 225 x 98 mm

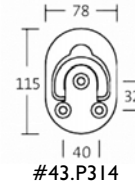
316 STAINLESS STEEL TIE DOWNS



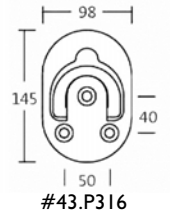
3 SIZES 2 DESIGNS
From 1,000 lbs to 4,000 lbs work load.



#43.P312



#43.P314



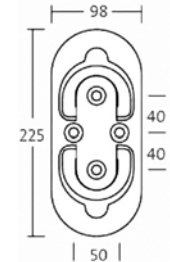
#43.P316



#43.P313



#43.P315

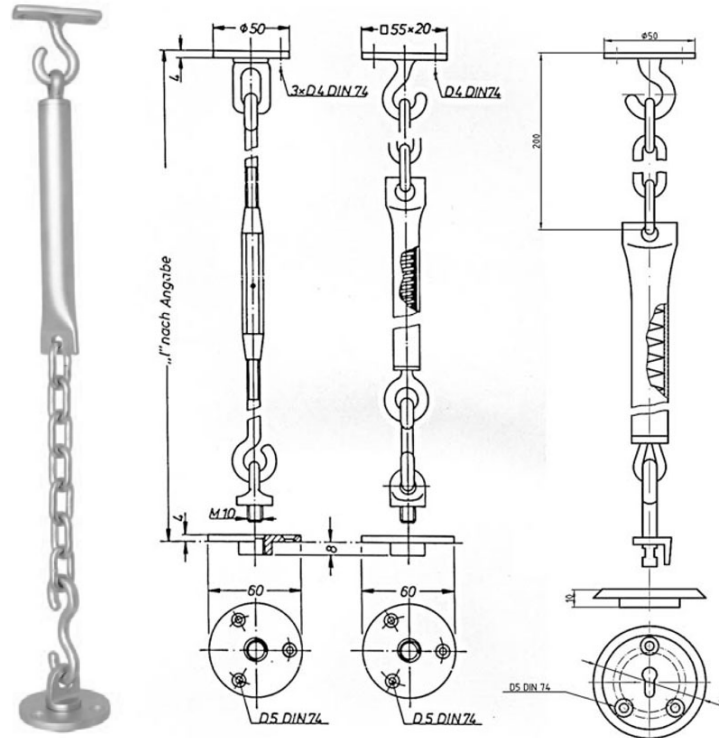


#43.P317

TIE DOWNS FOR CHAIRS



Tie-down #43.556;
4" diameter Cut out 3"
Force rating: up to 500 LBS.
316 polished stainless steel



#43.4610

#43.4620

#43.4635

Spring loaded tie downs for chairs, Finish: Satin or Polished Chrome

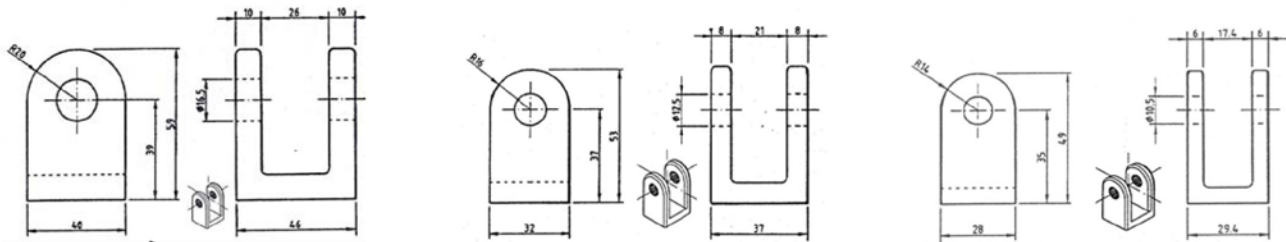


Izerwaren Part Number	<p>BUTTERFLY WING NUTS WITH 26 DEGREE ANGLE</p>					DIN Number	
M.701.12	THREAD SIZE A	d = OD	B = OD	L =	H =	AVAILABLE	DIN 80701 1.4401 stainless steel 316 STAINLESS STEEL
M.701.16	M 12	10	24	240	75	X	
M.701.20	M 16	13	30	240	75	X	
M.701.24	M 20	15	36	240	75	X	

Finish: untreated castings

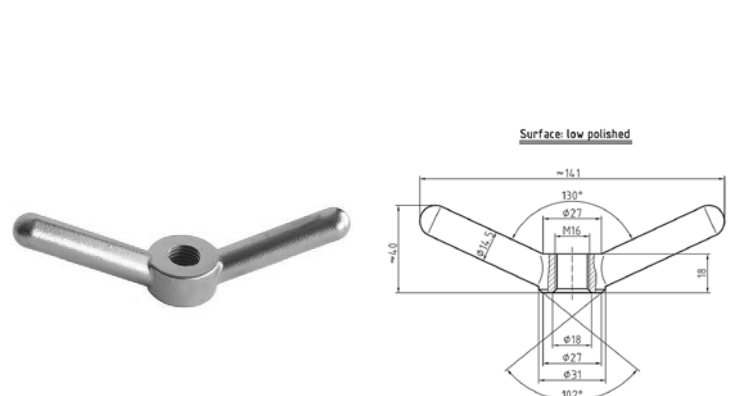
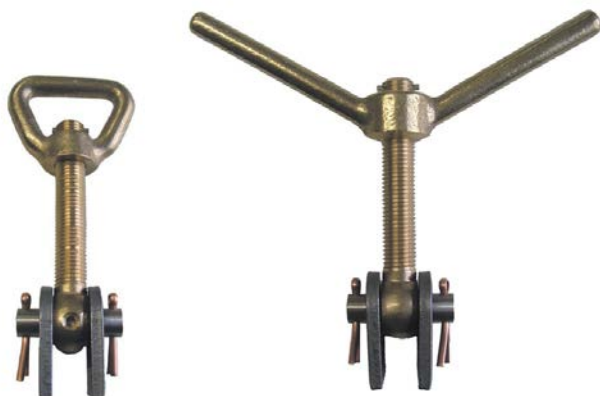
Izerwaren Part Number	<p>FORMED PRESS PLATE FOR WING NUT</p>				DIN Number
M.407.12	FOR HOLE:	LENGTH	WIDTH	THICKNESS	DIN 83407 1.4408 stainless steel 316 STAINLESS STEEL
M.407.16	M 12	100	40	10	
M.407.20	M 16	125	50	12	
M.407.24	M 20	150	60	15	

Finish: untreated



For more parts to make a set: See page 14

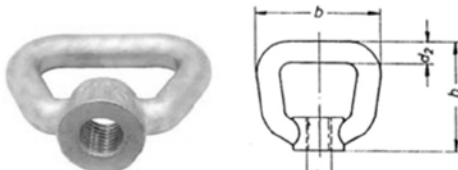
Izerwaren Part Number	HINGE PLATE U SHAPE FOR WELDING					DIN Number GRADE
M.571.20	FOR WING NUT SIZE	HIGH X WIDE	OPENING WIDTH	Hole for bolt	AVAILABLE	1.4571 stainless steel 316 - Ti Stainless steel
M.571.16	M20	59 x 46	26	16.5 Ø	X	
M.571.12	M16	53 x 37	21	12.5 Ø		



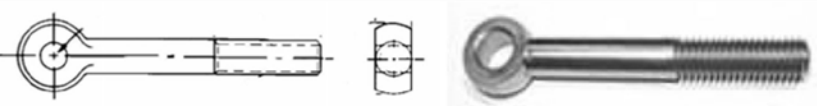
M.802.XX Short wingnut; In size: M12, M16, M20, M24 316 stainless steel

Please see page 4-3-7 for eye bolts



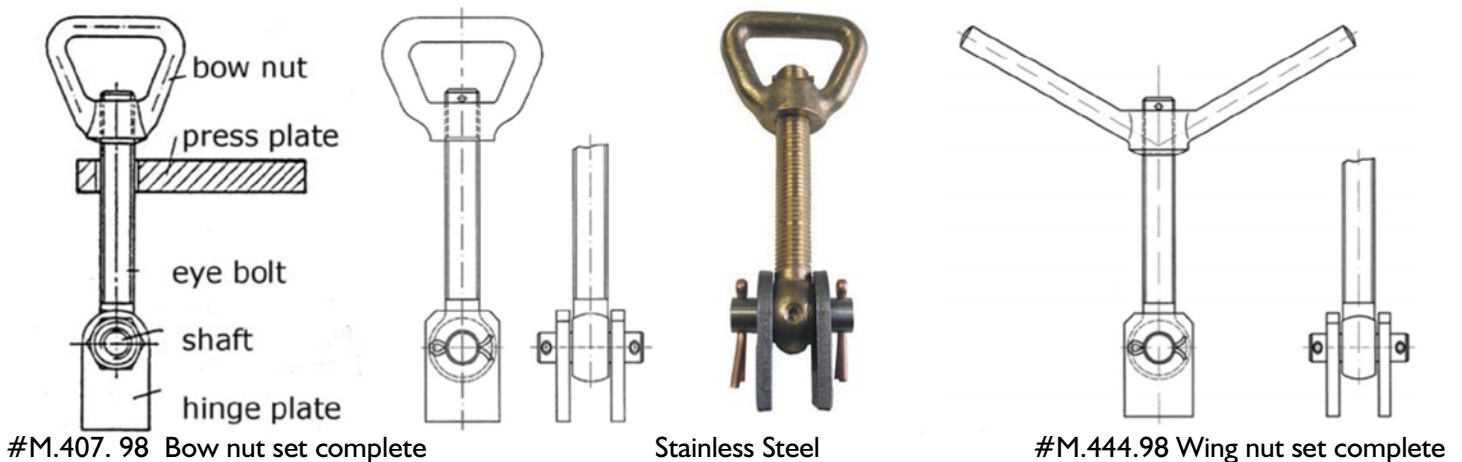
Izerwaren Part Number					DIN Number
	BOW NUTS LIFTING NUTS				
	FOR THREAD SIZE d 1	d 2 = OD	B = OD	H =	AVAILABLE
M.704.08	M 8	7	40	40	X
M.704.10	M 10	9	50	45	X
M.704.12	M 12	10	58	52	X
M.704.16	M 16	12	68	59	X
M.704.20	M 20	13	77	66	X
					DIN 80704 316-Stainless steel

Finish: untreated castings

Izerwaren Part Number						DIN Number
	EYE BOLTS					
	LENGTH	M6	M8	M10	M12	M16
M.444.30	30	X	X			
M.444.35	35	X	X			
M.444.40	40	X	X	X		
M.444.45	45	X	X	X		
M.444.50	50	X	X	X	X	
M.444.60	60	X	X	X	X	X
M.444.70	70		X	X	X	X
M.444.80	80		X	X	X	X
M.444.90	90		X	X	X	X
M.444.10	100		X	X	X	X
M.444.12	120			X	X	X
M.444.14	140				X	X
M.444.15	150				X	X
M.444.16	160				X	X
						DIN 444 00444 000 07 06030

Finish: Machine finish

Thread: partially threaded



See also page 4-3-6 for press plates and hinge plates separate



Izerwaren order numbers

Stainless steel hatch fasteners and Toggle devices
• seawater resistant

44.221 **Toggle device (221)** Left hand (depicted in picture)

44.222 **Toggle device (222)** Right hand Medium duty
Lever: 110 mm - 4 5/16" distance brackets: 75 mm - 3" Polished 304 stainless steel

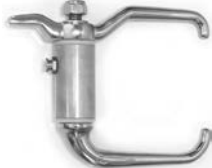
ORDER SEPARATELY:

44.6219 **Strike plate**
80 x 30 mm 316 stainless steel

43.142 **Strike plate with lip**
100 x 28 mm 316 stainless steel

43.943 **Strike wedge** 3 3/8" x 3/4" x 3/4"
85 x 20 x 20 mm 304 stainless steel.

44.9411 **Toggle device**
Extra heavy duty 316 stainless steel door toggle, both sided aluminum bush with nylon bearing with 1/8" hole for grease nipple lever 6 1/2"; total 9 1/2" long, bush OD: 45 mm 1 25/32" Ø with aluminum bush 73 mm long



44.940 #44.9411 see page 4-4-A



44.9402 #44.9412 see page 4-4-B



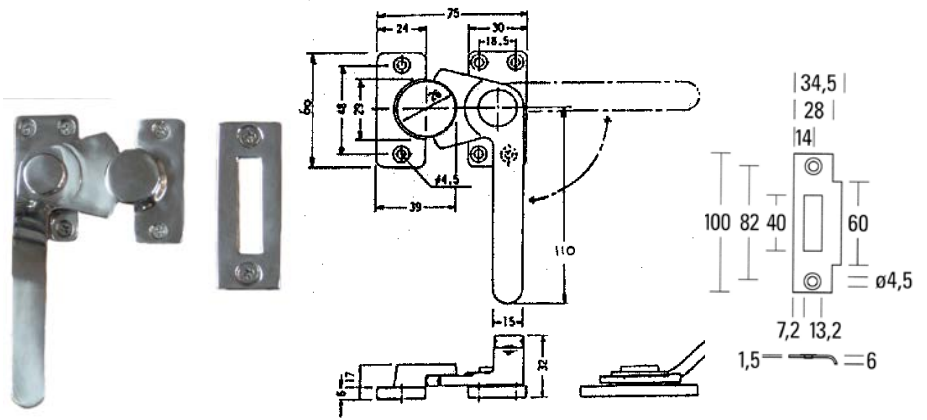
44.9403 #44.9413 see page 4-4-C



44.9404 #44.9404 see page 4-4-D

44.130 **Toggle device, single sided**
Medium duty 304 stainless steel door toggle, See page 4-4-0-H

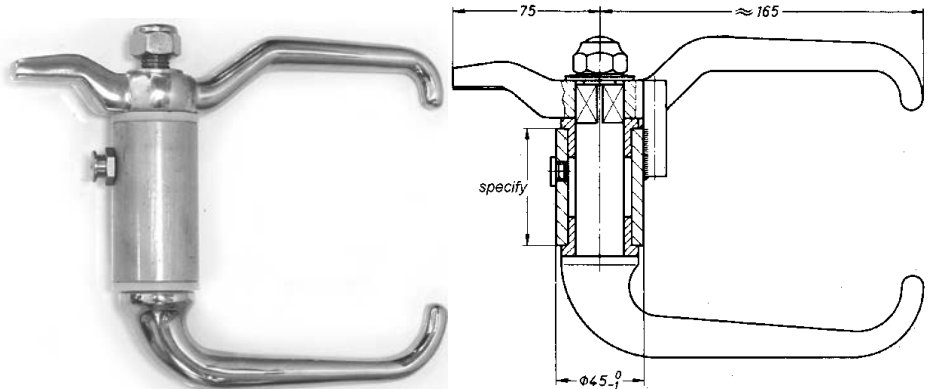
44.131 **Toggle device, double sided**
Medium duty 304 stainless steel door toggle, See page 4-4-0-H



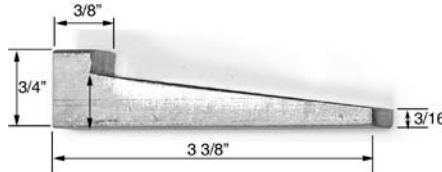
Left Hand

Right Hand

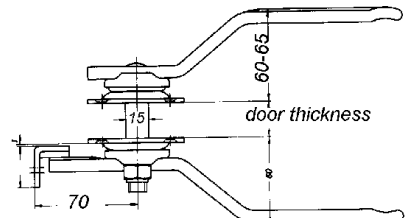
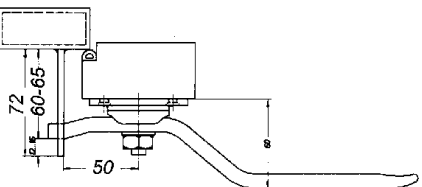
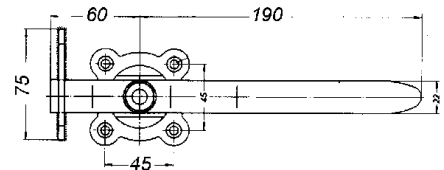
#44.221 304 stainless steel dogging device for hatches & doors. Strike 43.142 w. lip
#44.6219 size: 80 x 30 x 3 mm no lip (picture) Flat strikes allow for angle mounting
#43.142 Strike with lip 28 x 100 x 1.5 mm



#44.9411 Extra heavy duty 316 stainless steel door toggle device with aluminum bushing 73 mm



#44.943 Strike wedge



#44.131 Door toggle; double sided, for door thickness: 50 mm or 2 inch in stock. Medium duty.



izerwaren
order
numbers

Stainless steel Toggle Device

- 316 stainless steel
- Seawater resistant
- also available in mild steel

Toggle device, both sided

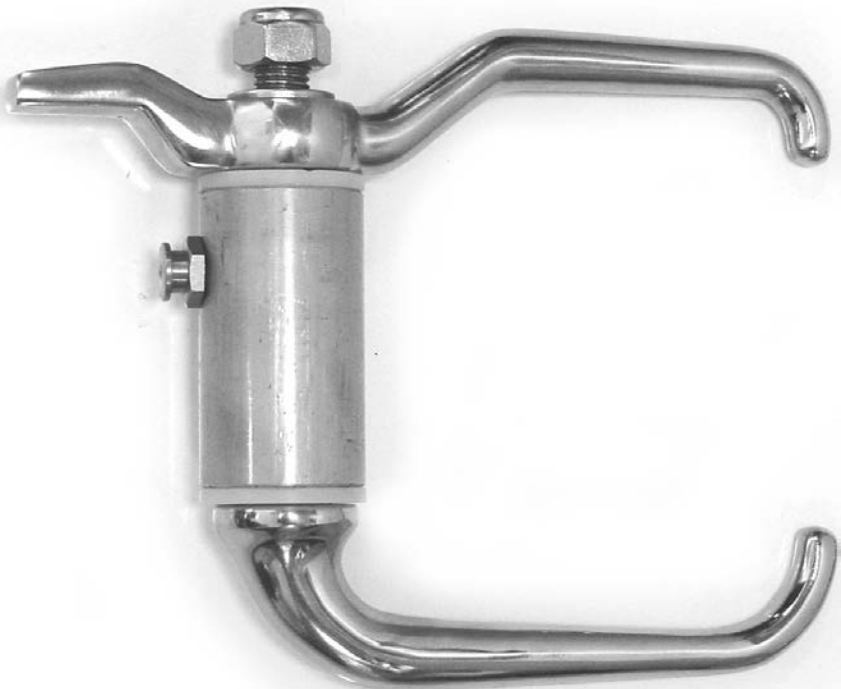
Extra heavy duty
316 stainless steel door toggle,
Includes:

- Toggle Lever;
- Back lever with shaft;
- aluminum bushing with
nylon bearing and M10 grease
- M10 grease nipple
- stainless steel washer
- M16 locknut

Toggle lever from center: 6 1/2";
Overall: 9 7/16" long,
bushing OD: 45 mm or 1 3/4" Ø
length aluminum bushing 73 mm

44.9411 **SET as above without stop**
44.9401 **SET as above with stop**

44.943 **Strike /wedge**
85 x 20 x 20 mm
304 Stainless steel
Weld on



#44.9411 Extra heavy duty 316 stainless steel door toggle **WITHOUT STOP** with aluminum bushing. Bushing standard length: 2 7/8" inch long; 1 3/4 inch diameter
Toggle lever: 9 7/16" long



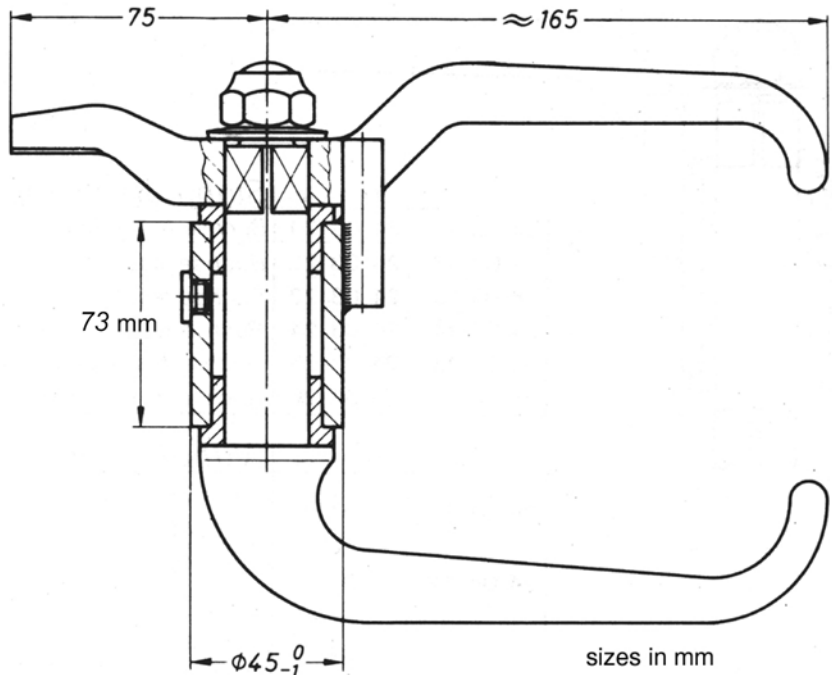
#44.9412 see page 4-4-B



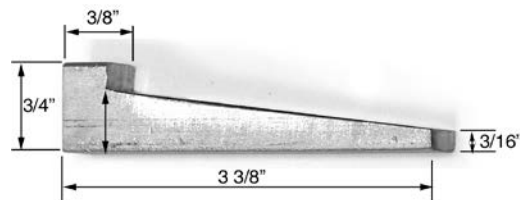
#44.9413 see page 4-4-C



#44.9404 see page 4-4-D



#44.9401 Extra heavy duty 316 stainless steel door toggle with aluminum bushing 73 mm. Bushing standard length: 2 7/8" inch long; 1 3/4 inch diameter. Drawing showing With Stop. Toggle lever: 9 7/16" long



#44.943 Wedge / strike 3 3/8 inch X 3/4 inch X 3/4 inch wide; 304 stainless steel.



Izerwaren
order
numbers

Stainless steel Toggle Device

- 316 stainless steel
- also available in mild steel
- Seawater resistant

Toggle device, single side

Extra heavy duty
316 stainless steel door toggle
Includes:

- Toggle Lever;
- Shaft with M16 thread and square end 3/4 inch;
- aluminum bushing with nylon bearing
- M10 grease nipple
- stainless steel washer
- M16 locknut

Toggle lever from center: 6 1/2";
Overall: 9 7/16" long.

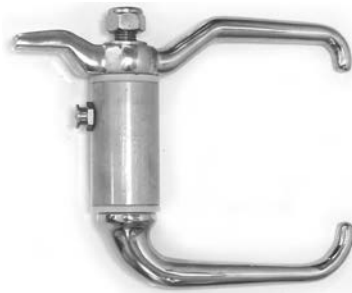
Bushing OD: 45 mm or 1 3/4" Ø
length aluminum bush 73 mm or 2 7/8"

- 44.9412 SET without stop
- 44.9402 SET with stop

44.943 **Strike /wedge**
85 x 20 x 20 mm
Weld on type.
304 Stainless steel



#44.9412 Extra heavy duty 316 stainless steel door toggle one sided **NO STOP** with square nut on reverse side. Nut: 3/4" square. With aluminum bushing.
Bushing standard length: 2 7/8 inch long; 1 3/4 inch diameter
Toggle lever: 9 7/16" long



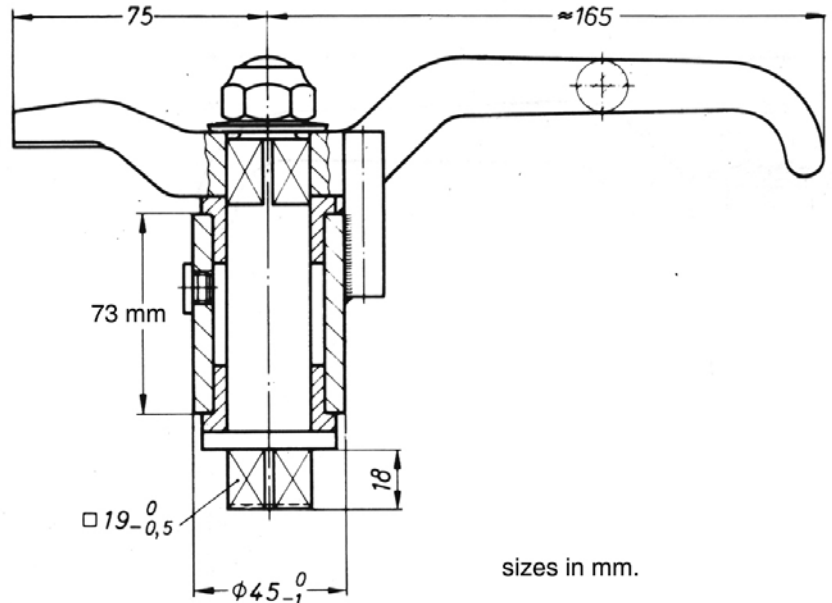
#44.9411 see page 4-4-A



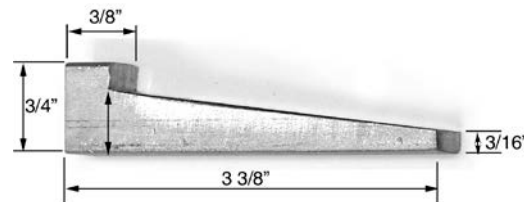
#44.9413 see page 4-4-C



#44.9404 see page 4-4-D



#44.9402 Extra heavy duty 316 stainless steel door toggle one sided. Square nut on reverse side. Drawing showing with end stop. Nut: 3/4" square. With aluminum bushing.
Bushing standard length: 2 7/8 inch long; 1 3/4 inch diameter
Toggle lever: 9 7/16" long



#44.943 Wedge / strike 3 3/8 inch X 3/4 inch X 3/4 inch wide. 304 stainless steel



Izerwaren
order
numbers

Stainless steel Toggle Device

- 316 stainless steel
- also available in mild steel
- Seawater resistant

Toggle device

Extra heavy duty
316 stainless steel door toggle,
both sided; includes:

- Toggle Lever;
- Shaft with M16 thread;
- aluminum bushing with
- nylon bearings
- M10 grease nipple
- Stainless steel washer
- M16 locknut

Toggle lever from center: 6 1/2";
Overall: 9 7/16" long,

bushing OD: 45 mm or 1 25/32" Ø
with aluminum bush 73 mm

- 44.9413 SET as above without stop
- 44.9403 SET as above with stop

44.943 **Strike /wedge**
85 x 20 x 20 mm
Weld on.
304 Stainless steel



#44.9413 Extra heavy duty 316 stainless steel door toggle one sided **WITHOUT STOP**.
With aluminum bushing.

Bushing standard length: 2 7/8 inch long; 1 3/4 inch diameter
Toggle lever: 9 7/16" long



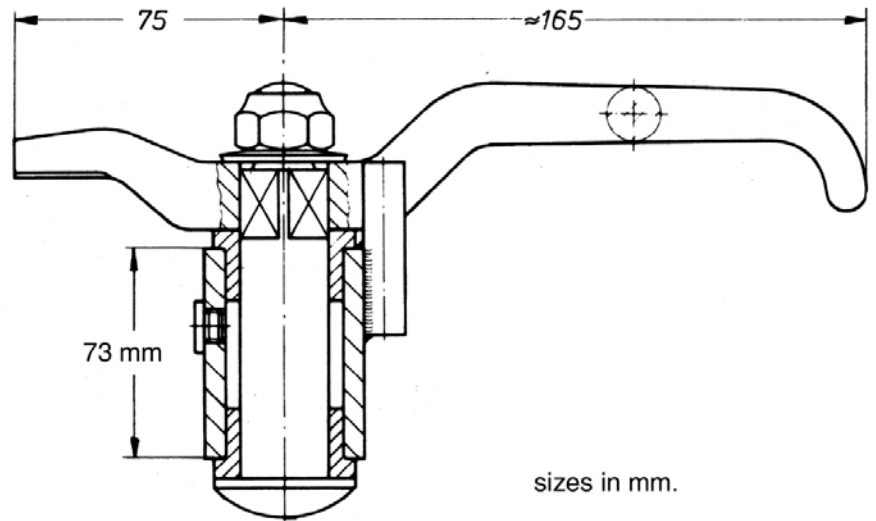
#44.9411 see page 4-4-A



#44.9412 see page 4-4-B

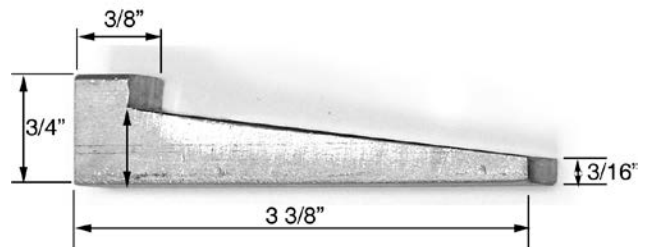


#44.9404 see page 4-4-D



#44.9403 Extra heavy duty 316 stainless steel door toggle one sided **WITH STOP**.
With aluminum bushing.

Bushing standard length: 2 7/8 inch long; 1 3/4 inch diameter
Toggle lever: 9 7/16" long



#44. 943 Wedge / strike 3 3/8 inch X 3/4 inch X 3/4 inch wide
304 stainless steel



Izerwaren
order
numbers

Stainless steel Toggle Device

- 316 stainless steel
- also available in mild steel
- Seawater resistant

Toggle device

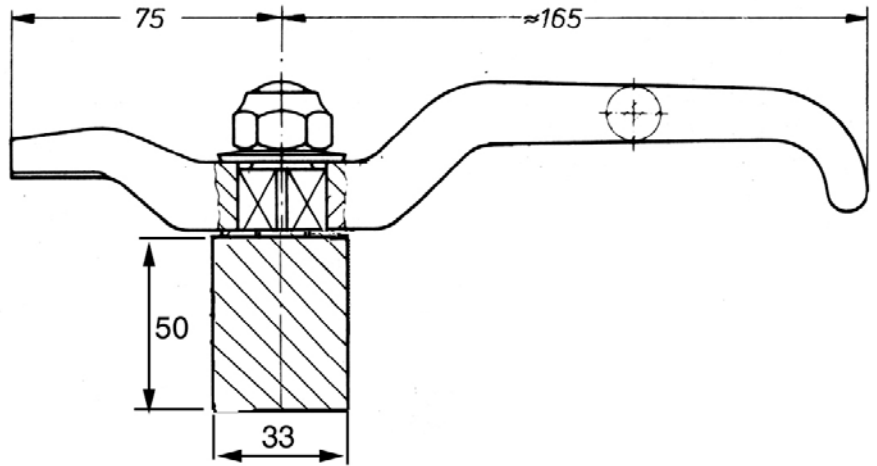
Extra heavy duty
316 stainless steel door toggle

- Includes:
- Toggle Lever
 - Bushing weld on
 - M16 threaded end
 - stainless steel washer
 - M16 locknut

Toggle lever from center: 6 1/2";
Overall: 9 7/16" long,
Plug OD: 33 mm x 50 mm

- 44.9404 SET as above aluminum plug
- 44.9415 SET as above stainless steel plug

- 44.943 **Strike /wedge**
85 x 20 x 20 mm
Weld on.
304 Stainless steel



sizes in mm.

- #44.9404 Extra heavy duty 316 stainless steel door toggle one sided.
Aluminum weld on bushing: 2 inch long; 1 1/2 inch diameter
Toggle lever: 9 7/16" long



- #44.9404 Extra heavy duty 316 stainless steel door toggle one sided.
Aluminum weld on bushing: 2 inch long; 1 1/2 inch diameter
Toggle lever: 9 7/16" long



#44.9411 see page 4-4-A



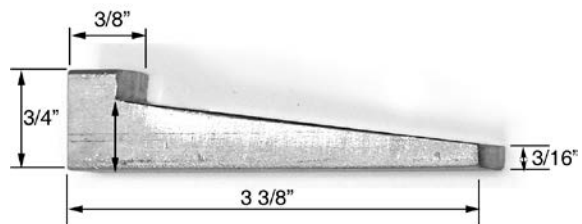
#44.9412 see page 4-4-B



#44.9413 see page 4-4-C



- #44.9415 ALL STAINLESS STEEL Extra heavy duty 316 stainless steel door toggle one sided.
STAINLESS STEEL weld on bushing: 2 inch long; 1 1/2 inch diameter
Toggle lever: 9 7/16" long



- #44.943 Wedge / strike 3 3/8 inch X 3/4 inch X 3/4 inch wide. 304 stainless steel



Izerwaren
order
numbers

Stainless steel Toggle Device
Spare parts

- 44.9443 Bushing OD: 73 x45 mm
aluminum
Fits in set #44.9402
- 44.9444 Bushing OD: 50 x33 mm
aluminum
Fits in set #44.9404
- 44.9445 Bushing OD: 50 x33 mm
stainless steel
Fits in set #44.9405
- 44.9446 Toggle lever 9 7/16" long
316 stainless steel
- 44.943 Strike /wedge
85 x 20 x 20 mm
Weld on type; 304 Stainless steel
- 44.944 Grease nipple M10 stainless steel
- 44.945 M16 lock nut stainless steel
- 44.946 M16 washer stainless steel
- 44.947 Nylon sleeves for alu. bushings
- 44.9448 Back lever with shaft, M16 thread



#44.9443
Aluminum bushing with nylon sleeves
73 X 45 mm
3 1/4 x 1 3/4 inch



#44.9444
Aluminum Plug
50 X 33 mm
2 x 1 1/2 inch



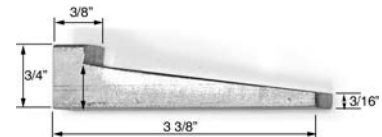
#44.9445
Stainless steel plug
50 X 33 mm
2 x 1 1/2 inch



#44.9411 see page 4-4-A



#44.944 Grease nipple M10
304 stainless steel



#44.943 Wedge / strike 304 stainless steel
3 3/8 inch X 3/4 inch X 3/4 inch wide



#44.9446 Toggle lever; 9 7/16" long 316 stainless steel



#44.9412 see page 4-4-B



#44.9413 see page 4-4-C



#44.9415 see page 4-4-D



#44.9448 Back lever with shaft and M16 thread
Lever 6 1/2" long. 316 stainless steel



Izerwaren
Order #

Stainless steel hatch fasteners
and Toggle devices. Medium duty:
• seawater resistant



44.129 **Toggle device** Left hand
single side
satin 304 stainless steel

44.130 **Toggle device** Right hand (depicted)
single side
satin polished 304 stainless steel

44.128L **Angle strike** LEFT



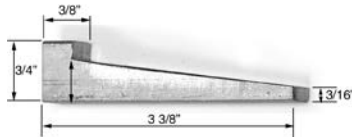
#44.128L left
304 stainless steel

44.128R **Angle strike** RIGHT



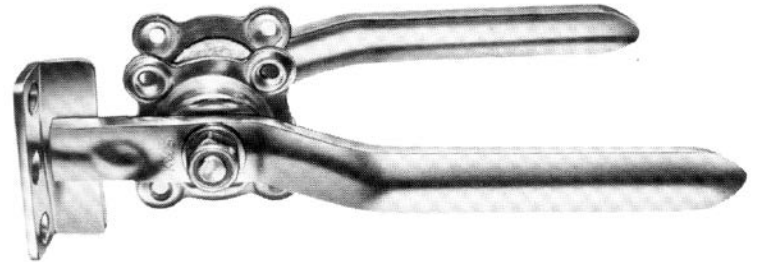
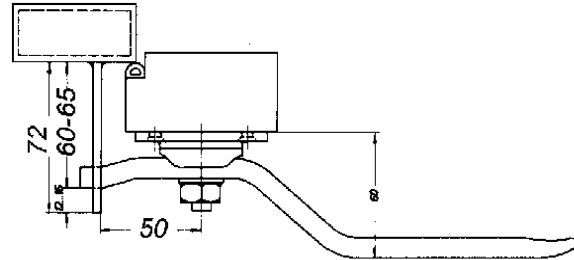
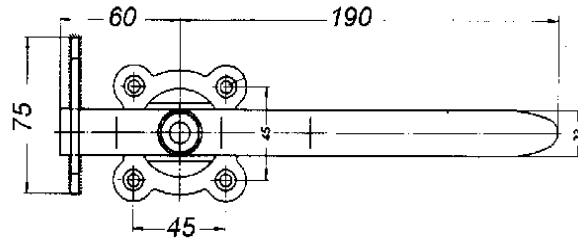
#44.128R right
304 stainless steel

44.943 **Weld on strike**



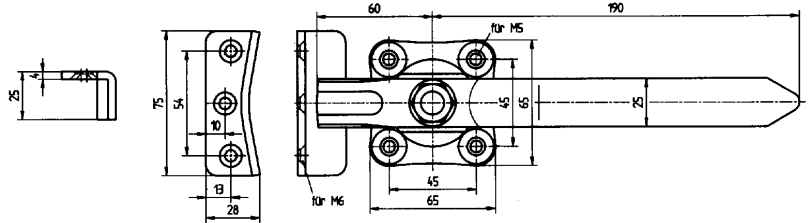
85 x 20 x 20 mm
3 3/8 inch x 3/4 inch x 3/4 inch wide
304 Stainless steel
Weld on

#44.130 Medium duty 304 stainless steel door toggle device (right hand)
Angle strike 44.128R

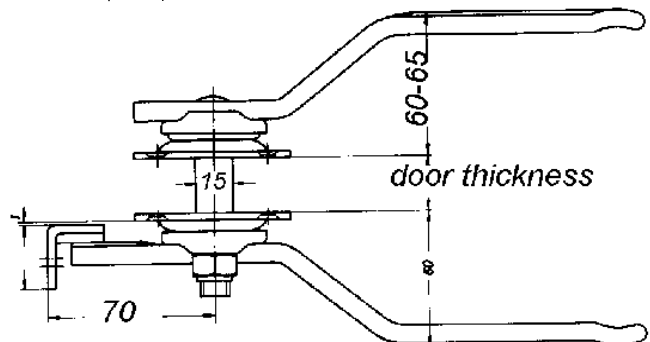
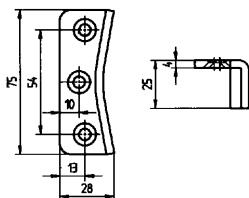


44.131 Medium duty 304 stainless steel door toggle device double sided strike 44.537

44.131 **Toggle device , double sided**
door thickness: 45-50 mm / 2 inch
Lever: 190 mm 7 1/2 inch
distance to locking plate: 70 mm 2 3/4 inch
satin polished 304 stainless steel
Felt washers included for roses
both handed



44.537 **Double strike**
For double sided door toggle #44.131





Izerwaren
Order
numbers

Stainless steel Toggle device

- sea water resistant

44.108 Door / Hatch Toggle (1108)

Heavy duty

316 stainless steel, electro polished

Handle for both sides of door

Backset 30 mm

Delron bush 30 mm ~ 1 3/64" diameter

Toggle stop plate 180 degree 38 x 100 mm

Length of handle: 165 mm ~ 6 1/2"

Distance from surface door: 50 mm ~ 2"

Door thickness: ~ 37 mm / 1 1/2"

Specify door thickness if different from 1 1/2"

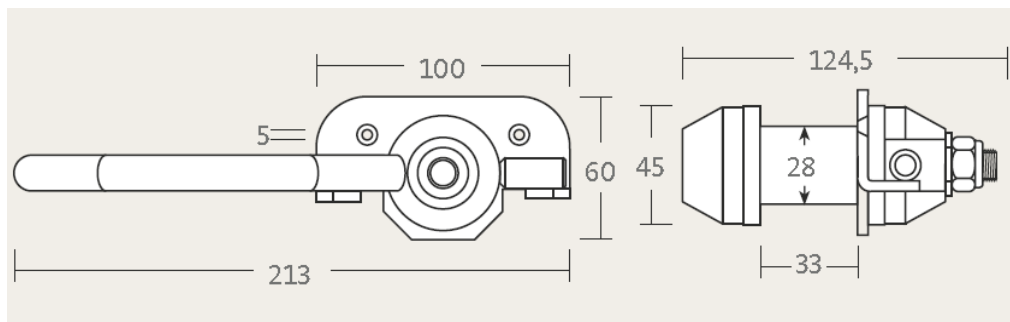
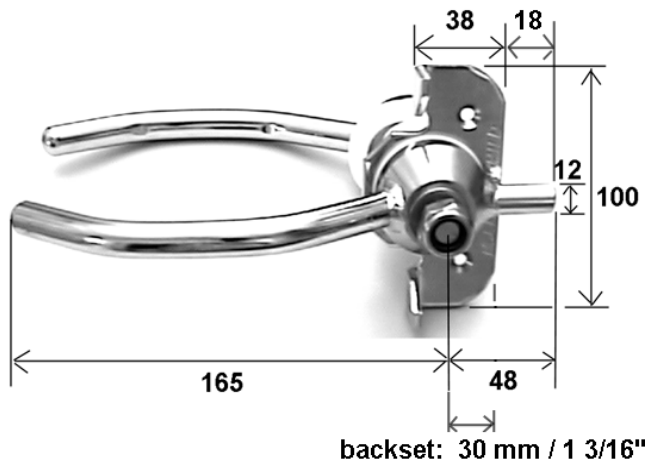
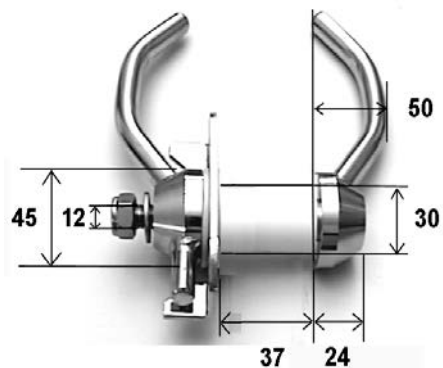
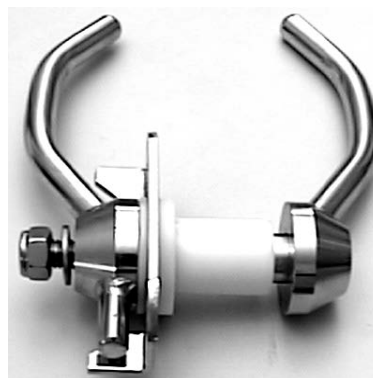


Heavy duty 316 stainless steel door toggle device

44.208 Delron filler washers

3 mm ~ 1/8" (1208)

44.308 6 mm ~ 1/4" (1308)



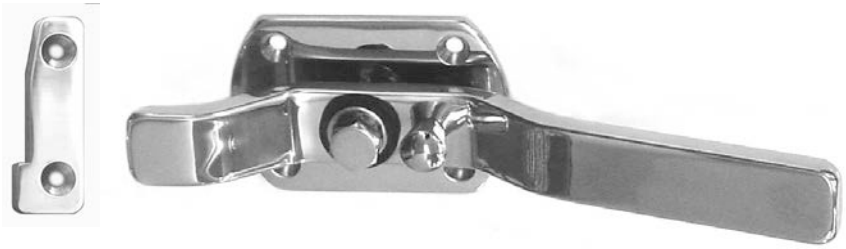


Izerwaren
part
number

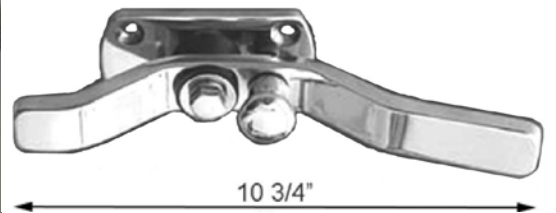
Toggle Devices
Bulwark door latches

- 44.831 Toggle device**
Stainless steel
10 3/4" x 3"
Locking with spring loaded pin. Both Handed
- 44.832 8" x 1 3/4"**
Locking with spring loaded pin. Both Handed
- 44.833 6" x 1 3/4"**
Locking with spring loaded pin. Both Handed

Stainless steel strike plate
order separately
Both handed



#44.831 Stainless steel toggle device 10 3/4" x 3". Locking with spring loaded pin.
#44.832 Stainless steel toggle device 8" x 1 3/4". Locking with spring loaded pin.
#44.833 Stainless steel toggle device 6" x 1 3/4". Locking with spring loaded pin.
#44.013 Stainless steel strike Order separately (see picture "right angle" below



#44.831 Full size door toggle; 10 3/4 inch long

- 44.013L "Left"**
 - 44.013R "Right"**
- Strike wedge
316 stainless steel

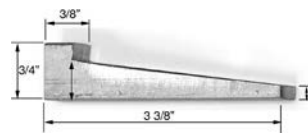
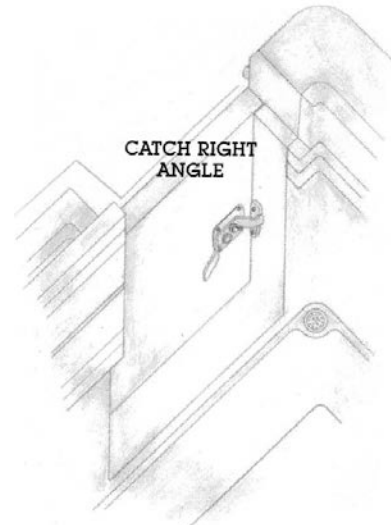
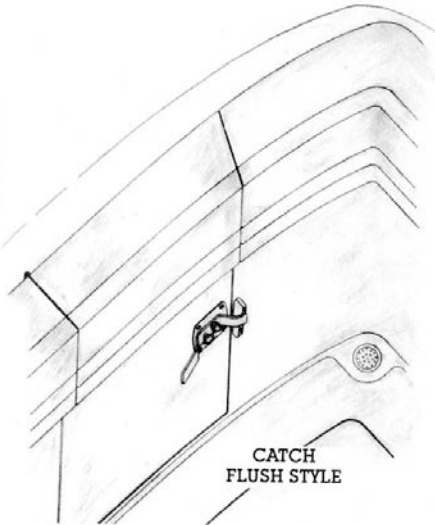


Illustration:

- 44.128L #44.128L left**
- Angle strike
304 stainless steel



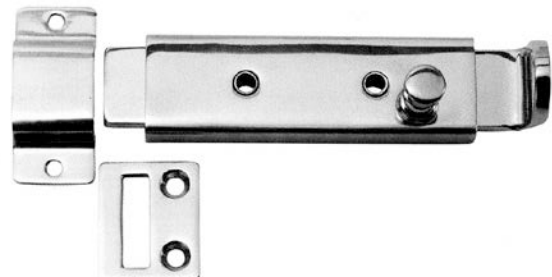
- 44.128R #44.128R right**
- Angle strike
304 stainless steel



- 44.943 #44.943 Wedge strike**
3 3/8 inch x 3/4 inch x 3/4 inch wide
304 stainless steel
For weld on application

- 44.0604 Transom bolt**
Body: 4" x 1/4" x 1/2";
Throw: 7/8"

- 44.0605 Strike flush**
- 44.0606 Strike bend**

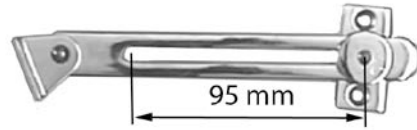


#44.0604 Transom bolt / barrel bolt; Body: 4" x 1/4" x 1/2"; Throw: 7/8"
Strike flush #44.0605; Strike bend # 44.0606



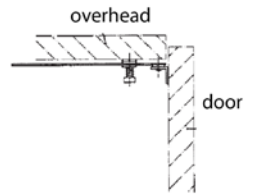
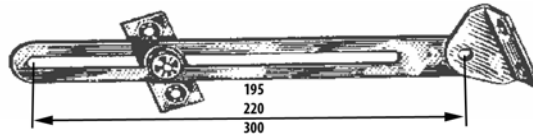
Izerwaren
Order
numbers

33.225 **Window stay (5200) (4896)**
Light duty
Travel 95 mm
Friction adjustable with thumb-screw



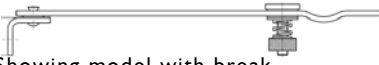
Door or window stay #33.225 light duty, with brake, 95 mm travel ~ 3 3/4"

Door stay (2654)
medium duty,
friction adjustable with thumb-screw
33.654A Travel: 165 mm; length: 195 mm
33.654B Travel: 190 mm; length: 220 mm
33.654C Travel: 270 mm; length: 300 mm



Door stay #33.654.A light duty, 165 mm travel; size 195 mm slot to pivot
Door stay #33.654.B light duty, 190 mm travel; size 220 mm slot to pivot
Door stay #33.654.C light duty, 270 mm travel; size 300 mm slot to pivot

Also available with brake:



Showing model with break
Please check with our office
for details

33.065 **Door stay** Stainless steel with endstop
Heavy duty with brake and endstop;
235 mm travel, ~ 9 1/4 inch
Satin Stainless steel or Polished Stainless steel.

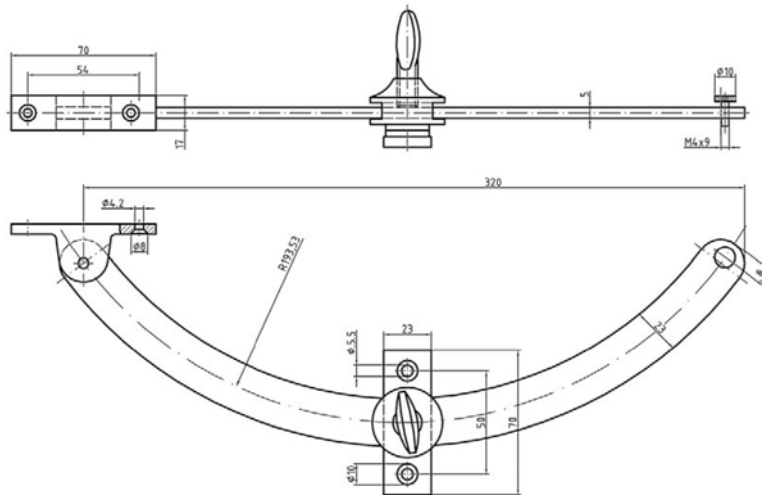


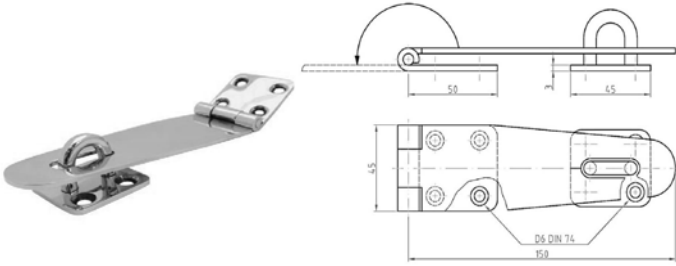
STAINLESS STEEL

#33.065 Door stay heavy duty with brake and endstop; 235 mm travel, ~ 9 1/4"
Available with angle (33.065A) or flush (33.065F) mounted brackets.
See page 3-3-1 for details

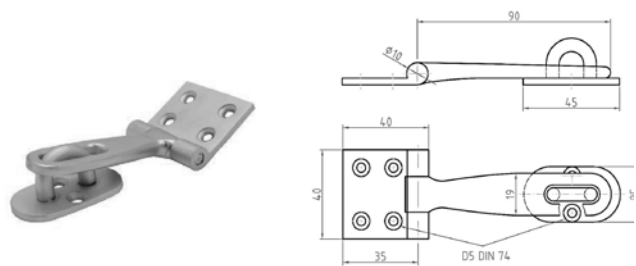
33.069 **Door stay** Stainless steel with endstop
Heavy duty with brake and endstop;
235 mm travel, ~ 9 1/4 inch
Satin Stainless steel or Polished Stainless steel.

45.201 **Window stay / skylight stay (3201)**
With thumb-screw to set in any position
Half round; Solid brass
Max movement: 320 mm 12.5"

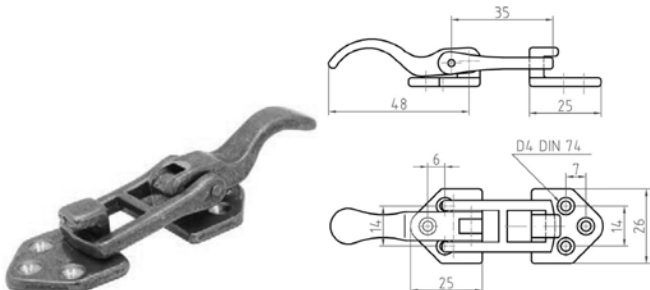




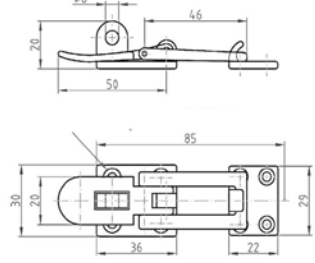
#46.570 Hasp with strike plate 45 x 150 mm (1 3/4 x 5 7/8 inch) Chrome plated.



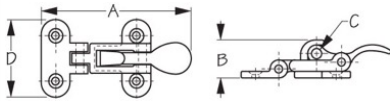
#46.572 Hasp with strike plate 40 x 90 Chrome plated brass



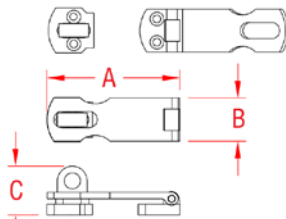
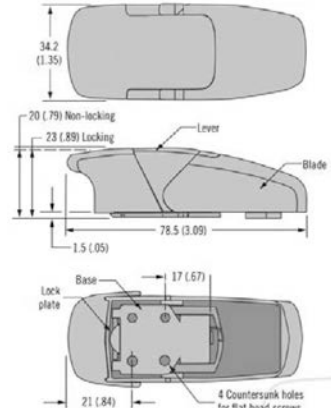
#46.576 Hasp with strike plate; size 95 x 26 mm Chrome plated brass



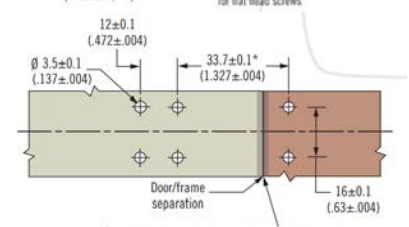
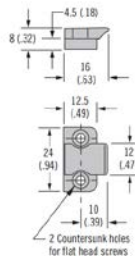
#46.577 Hasp with hook plate Size: 26 x 85 mm Chrome plated brass



#46.579 Hasp locking model 316 Stainless Steel. A=3 inch; 77 mm; B= 3/4 inch; 19 mm; C= 1/4 inch; 6 mm; D=1 1/2 inch; 38 mm.



#46.3853 Safety Hasp. A= 3 inch; B= 1 inch; C= 1.16 inch Medium Duty. 316 stainless steel.

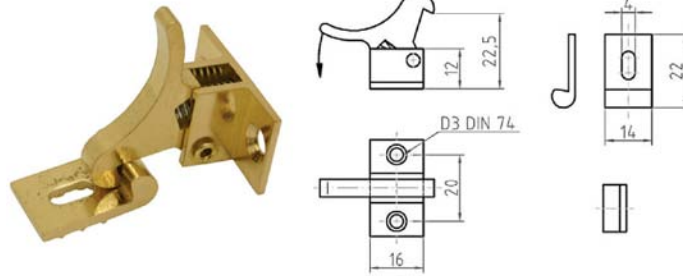


#46.V7201 Hasp or Draw Latch. 3.09 inch x 1.35 inch x 0.79 inch. 34.2 x 78.5 x 20 mm high; 316 Stainless Steel Mirror Polished.



Izerwaren
Order
numbers

21.516 **Finger pull (5160/61)**
elbow catch with strike, both handed.
Cover ring in hole in door:
drill 29 mm hole; OD: 34 mm ID: 23 mm



Finger pull #21.516 elbow catch; latch operates by pulling lever with finger, through hole in door. strike plate included; both handed

21.2801 **Ring (631.02.801) Brass Polished**
Diameter 35 mm; 18 mm high;

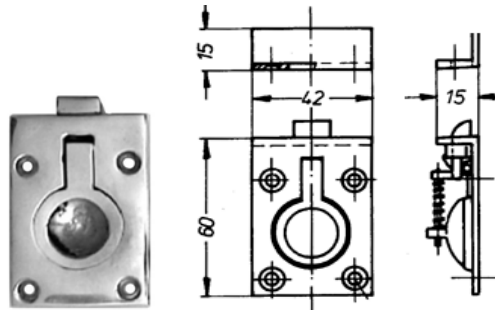
21.2701 **Ring (631.02.701) Satin Nickel**
Diameter 35 mm; 18 mm high;



#21.2801 Brass #21.2701 nickel
D = drill hole for OD 35 mm ring;
A = height 19 mm
thickness ring: 2 mm

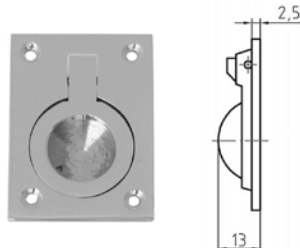
Brass Cover ring for hole in door:

24.160 **Flush Pull Lift with latch (4108)**
Brass, polished chrome plated,
Latch comes with strike
Body: 60 x 40 mm - 2 3/8" x 1 9/16";
strike 15 x 15 mm - 5/8" x 5/8"
mortise depth: 18 mm - 11/16"



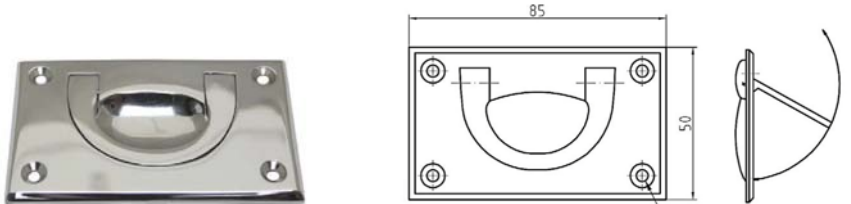
Finger pull catch #24.160 brass chrome plated

46.108 **Flush Pull**
Brass, polished chrome plated,
Size: 52 x 37 x 13mm
mortise depth: 13 mm 5/8"



Flush pull #46.108 chrome plated: 52 x 37 mm

46.020 **Flush Pull**
Brass, polished chrome plated,
Size: 85 x 50 x 13mm
mortise depth: 13 mm ~ 5/8"



Flush pull #46.020 chrome plated brass 85 x 50 x 13 mm; 3 3/8 x 2 x 5/8 inch

43.214 **Flush Pull Lift stainless steel**
2 1/4" x 3" ~ 57 x 76 mm
316 Cast Stainless steel

43.215 **Flush Hatch Lift stainless steel** 43.215
Dimension case: 2 1/2" x 1 3/4"
316 Cast Stainless steel

43.216 **Hatch Pull stainless steel #43.216**
Dimension case: 1 1/2" x 1 15/16"
316 Cast Stainless steel



#43.214
Flush Pulls 3" x 2 1/4"

#43.215;
1 3/4" x 2 1/2"

#43.216;
1 1/2" x 1 15/16"



Izerwaren
Order
numbers

#43.831S
Old number:
#47.1920

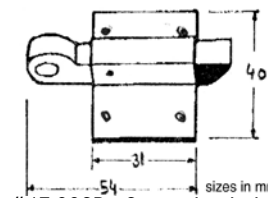


New number: #43.831S Old number: #47.1920 316 stainless steel Satin Finish
Flush Slam latch, Pull type. Anchor style lift ring; strike plate included.
Dimensions: 61 mm long (A) x 58 mm wide (C) x 19 mm deep (D). Door thickness: 19 mm
Dimensions: 2 7/16" (A) x 1 1/2" (B) x 2 1/4" (C) x 3/4" (D) Door thickness: 3/4"
Pull Out to open door / release.

47.22SP **Spring loaded catch #43.22SP**
40 x 31 mm; 1 1/2" x 7/8";
Throw: 1/2" 304 stainless steel

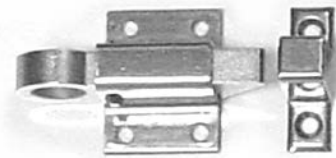


Catch #43.22SP, Strike #43.22ST

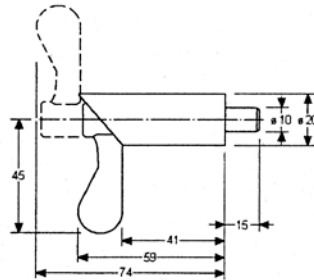


#47.22SP Spring loaded catch with eye. Plate: 40 x 31 mm; strike #47.22ST
Dimensions: 1 1/2" x 7/8" Stainless steel

47.22ST **Strike for Spring loaded catch**
12 x 40 mm 1/2" x 1 1/2"
304 stainless steel



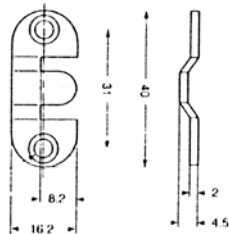
47.280 **Pin bolt ; stainless steel #47.280;**
throw: 5/8" diameter: 3/4"
Spring loaded; Weld on type.



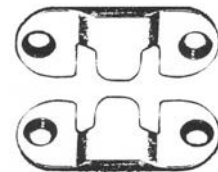
Pin bolt spring loaded #47.280; stainless steel; throw: 5/8" diameter: 3/4" length: 3"



47.212 **Flush mounting clips ; stainless steel**
dimensions: 5/8" x 1 9/16"
sold in pairs.
Work well for hanging paintings and
mirrors on walls and bulkheads.

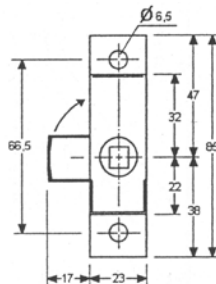
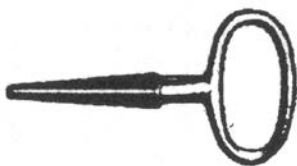


#47.212 flush mounting clips; stainless steel

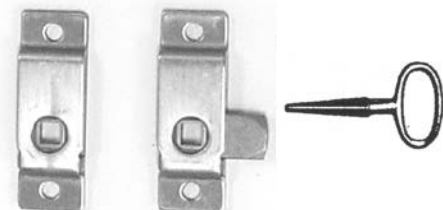


47.220 **Small cam lock with click;**
stainless steel
dimensions: 7/8" x 3 3/8"
sold in pairs.

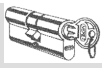
47.113 **Key; steel nickel plated #47.113**



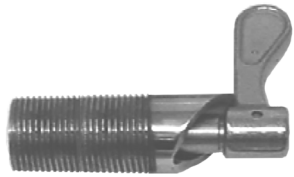
#47.220 cam lock stainless steel for M8 key or spindle



#key 47.113

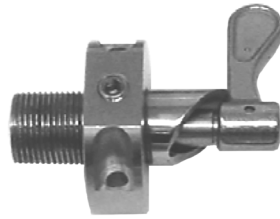


Izerwaren
Order
numbers

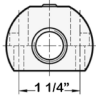
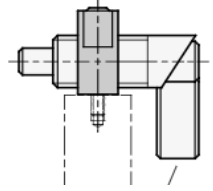


#47.281 Plunger threaded M20 x 1.5;

47.281



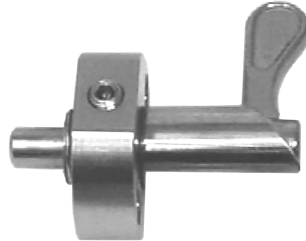
#47.281 Plunger with #47.293 Bracket for top mounting threaded M20 x 1.5; Set screw threaded M8



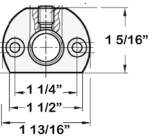
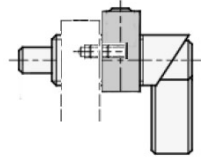
Set screw M8

47.293 Bracket for top mounting 15 mm thick x 46 mm wide x 33 mm

47.293

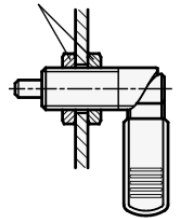
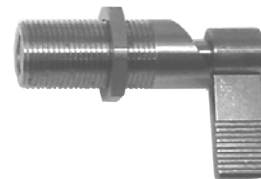
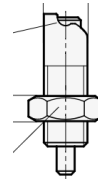
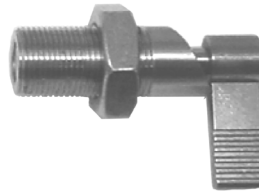


#47.281 Plunger with #47.294 Bracket for side mounting. threaded M20 x 1.5; Set screw threaded M8

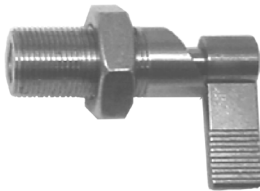


47.294 Bracket for side mounting. 15 mm thick x 46 mm wide x 33 mm Set Screw M8

47.294

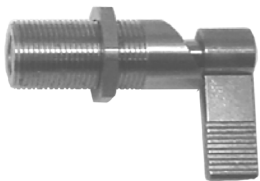


#47.281 Indexing Plunger with 10 mm thick nut #47.291
#47.281 Indexing Plunger with 5 mm thin nut #47.292 threaded M20 x 1.5;



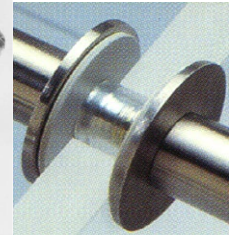
Nut M20; 10 mm thick #47.291

47.291

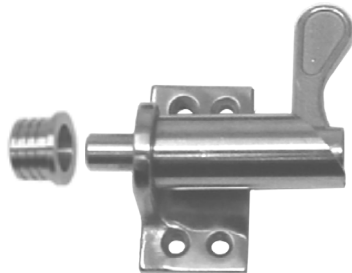


Nut M20; 5 mm thick #47.292

47.292



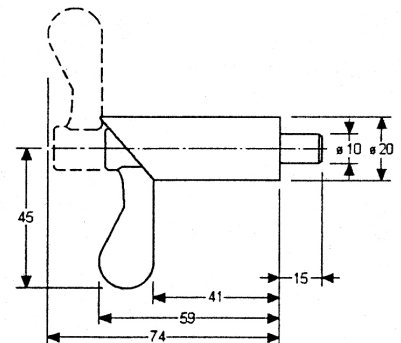
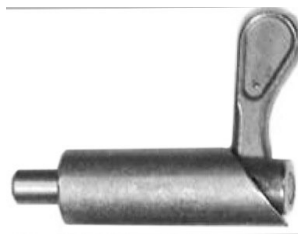
#47.281 Spring Loaded Indexing Plunger threaded M20' x 1.5 Shown with 50 mm diameter threaded thrust roses #15.050 through 10 mm Acrylic. Stainless steel; throw: 5/8"; body diameter: 3/4" Body length: 3"; threaded M20 x 1.5



Plunger threaded to bracket #64.741 Receiver #23.2424



Bracket #64.741
Stainless steel

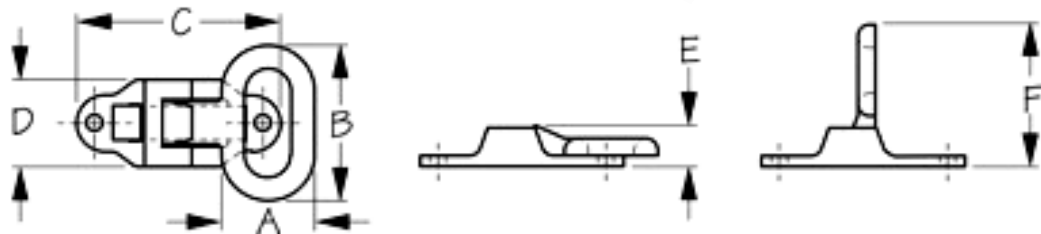


#47.280 Indexing plunger; stainless steel for weld on apps. Dimensions in mm. Throw: 5/8"; Diameter: 3/4"; Body length: 2 3/8" Spring loaded; Body: 59 mm long; 20 mm diameter; Pin: 10 mm diameter.



Izerwaren
Order
numbers

#48.2211



#48.2211 Folding Step. 3 3/8" x 4 3/8".
Spring loaded. 316 stainless steel.

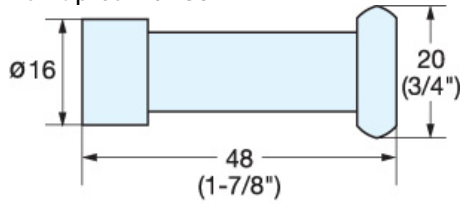
Dimensions:

- A= 2 inch / 50 mm
- B= 3 3/8 inch / 85 mm
- C= 4 3/8 inch / 111 mm
- D= 1 7/8 inch / 48 mm
- E= 7/8 inch / 22 mm
- F= 3 7/16 inch / 87 mm



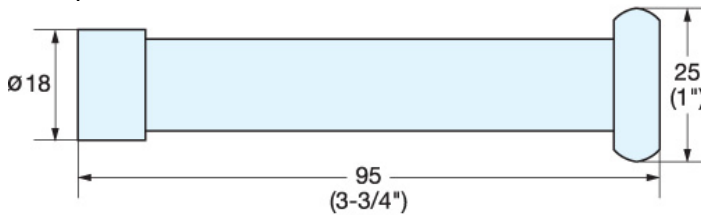
Izerwaren
Order
numbers
48.520

**Coat and towel hook
with M6 thread**
48 long x 20 mm diameter
316 stainless steel
Front mounting or back mounting
For up to 20 lbs



48.525

**Coat and Towel Hook
with M6 thread**
95 long x 25 mm diameter
316 stainless steel
Front mounting or back mounting
For up to 20 lbs

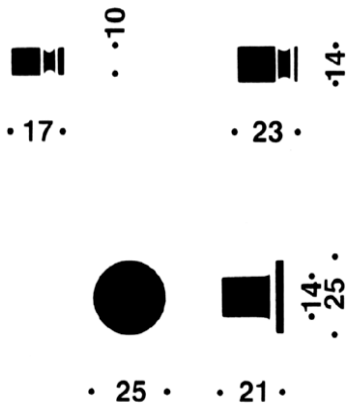


15.030

Thrust-Roses for Hooks 30 mm x 1.5 mm
316 stainless steel

48.6799

Special **M6 through bolts** for back mounting

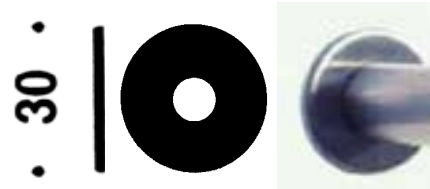


316 Stainless Steel Coat Hooks and Towel Hooks



#48.520 Coat Hook / Towel Hook
1 7/8" long x 3/4" diameter; M6 thread

#48.525 Coat hook.
3 3/4" long x 1" diameter; M6 thread

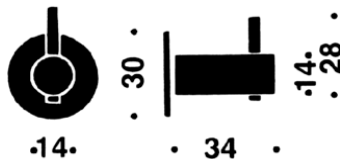


15.030 Thrust-Roses for Hooks 30 mm x 1.5 mm
316 stainless steel



#15.016 10 Ø x 17 mm hook cylindrical
3/8 Ø X 5/8" with notch

- 15.016 #15.016 10 Ø x 17 mm hook cylindrical
- 15.010 #15.010 14 Ø x 23 mm hook cylindrical
- 15.000 #15.000 14 Ø x 34 mm hook with edge 25 mm



- 15.005 #15.005 14 Ø x 34 mm Hook with Pin & Thrust Rose
- 15.030 #15.030 30 Ø mm Thrust Rose



- #15.010 14 Ø x 23 mm hook cylindrical
- #15.000 14 Ø x 34 mm hook with edge 25 mm
- #15.005 14 Ø x 34 mm hook with hook